



UNILUX 2018

HARMONY AT WORK

CONTACT US



SUM-UP

Working place designer	p5
LED lighting	p7
Health & Well being	p9
Lighting	p27
Uplighters	p92
Clocks	p103
Coat stands	p133
Coat pegs	p143
Reception	p149
Footrests	p153
Desk accessories	p163
Sum-up	p173

FEATURES



Automatic switch-off
after 5 hours



Tactile dimmer switch



Wireless charger



Asymmetrical lighting



Colour temperature dimmer



USB charger



WORKING PLACE DESIGN

/ UNILUX, CREATOR OF AMBIANCE FOR BUSINESSES

Thanks to a dynamic team that creates a trend, UNILUX offers a spectrum of universes, where each user can adapt his own prism to the atmosphere that corresponds to him. This is why UNILUX has decided to support you and guide you in your choices by creating working environments to feel better.

/ ESSENTIAL line : The essential to equip yourself

/ POP line : Put color in your business

/ PREMIUM line: When innovation meets excellence

/ WELL line : Optimize your well-being at the office

/ ORIGIN line : Ideal for eco-responsible companies

” UNILUX, inspire your **efficiency** and **enjoyment** at work.

UNILUX

Essential
line



Pop
line



Premium
line



Well
line



Origin
line



LED LIGHTING

In 2018, LED lamps will represent **near 85%** of our range

/ WHY DO YOU USE LED DESK LAMP?

The Industrial Medicine recommends a minimum of 500 Lux for lighting on the work surface. The ceiling lights are not powerful enough. This is why it is recommended to use a LED lamp desk in addition to have the best visual comfort to optimize its productivity at work.

/ ECONOMIC AND EFFICIENT

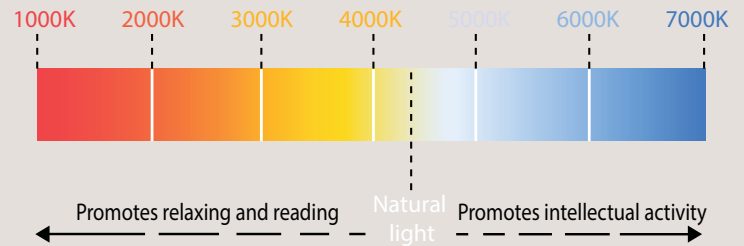
LED are today more efficient than halogen energy saving bulbs around 100lm/W, offer the lower consumption (6W vs 50W for halogen and 11W for energy saving bulbs) and the longer lifetime (30 000h vs 1500 for halogen and 10 000h for energy saving bulbs).

/ ADDITIONNAL BENEFITS

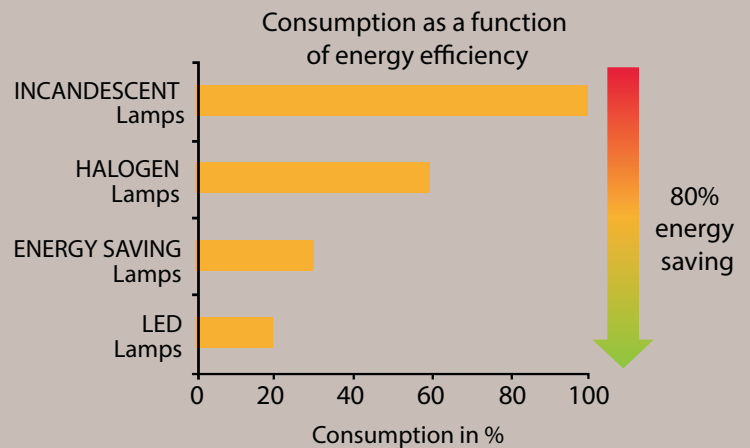
- dimmable (intensity, colour temperature)
- automatic switch off
- motion detector and more...

/ WITHOUT DANGER FOR HEALTH

No UV or infra-red radiation, no mercury.
Recommended colour temperature: between 2900K and 5200K.
(higher could be dangerous)



” UNILUX optimizes your energy consumption and helps save the planet.





” *Economic and efficient lighting.*



HEALTH & WELL BEING

More and more companies are mobilizing to fight the stress of their employees

/ FEEL GOOD AT YOUR OFFICE

In 2010, a well-being report commissioned by the government recommended, among other things, integrating the human factor into the performance evaluation of the company and empowering employees to flourish in their tasks. So it's not just about dealing with specific disorders such as stress or depression, but promoting wellness and health in a broad sense.

The "better work" is one of the components of "better living". That is why, when we develop the new product, we ask ourselves this question: " **How can it improve well-being in the office of the person?**". We use the advice of Occupational Medicine and professional ergonomists to create lamps and office accessories, like **foot rest**, **adjustable height desk**, **air purifier** and more that bring real added value in terms of **concentration**, **well-being** and **productivity gains**, by limiting the risks of:

- **decrease in concentration**
- **fatigue**
- **low morale**
- **loss of performance**
- **absenteeism**
- **back pain**
- **cervical tension**
- **disorders of the blood vessels of the legs**

” Well being at works is **UNILUX's primary concern** for the development of 2018 new products!



LIGHT



EYELIGHT Desk lamp

- Bluetooth connection
- Auto setting circadian cycle
- Limits the risk of insomnia, irritability and mood disorders
- Regulates the production of melatonin
- Increases intellectual performance

FITNESS



UPDOWN footrest



ERGODESK height adjustable desk

AIR



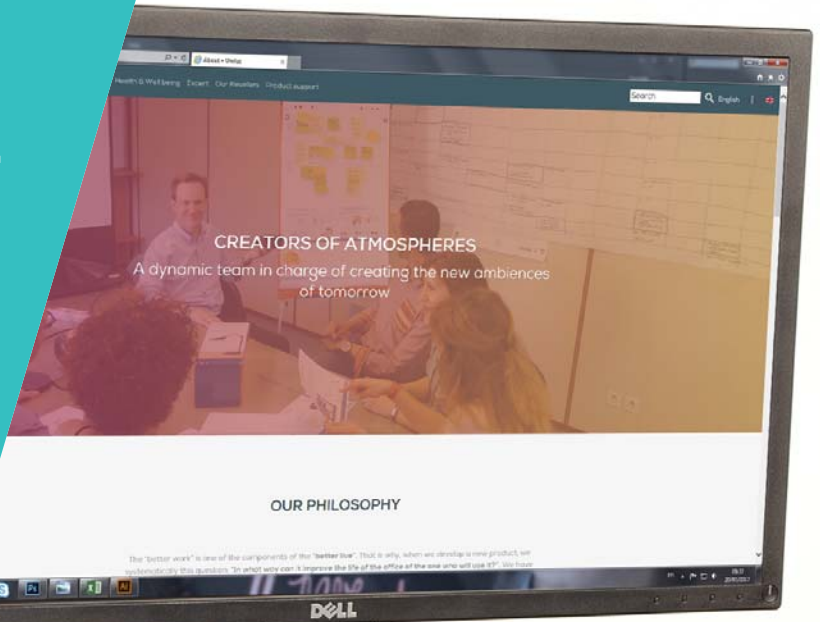
R'PURE air purifier

- Increases concentration
- Limits head pain
- Purification Rated 99% (CO2, Smoke,...)
- Reduces risk of absenteeism

UNILUX helps you feel better and improves your effectiveness.

UNILUX

WELL LINE



OUR PRODUCTS SELECTION



EYELIGHT
LED lamp p29



ERGOLIGHT
LED lamp p83



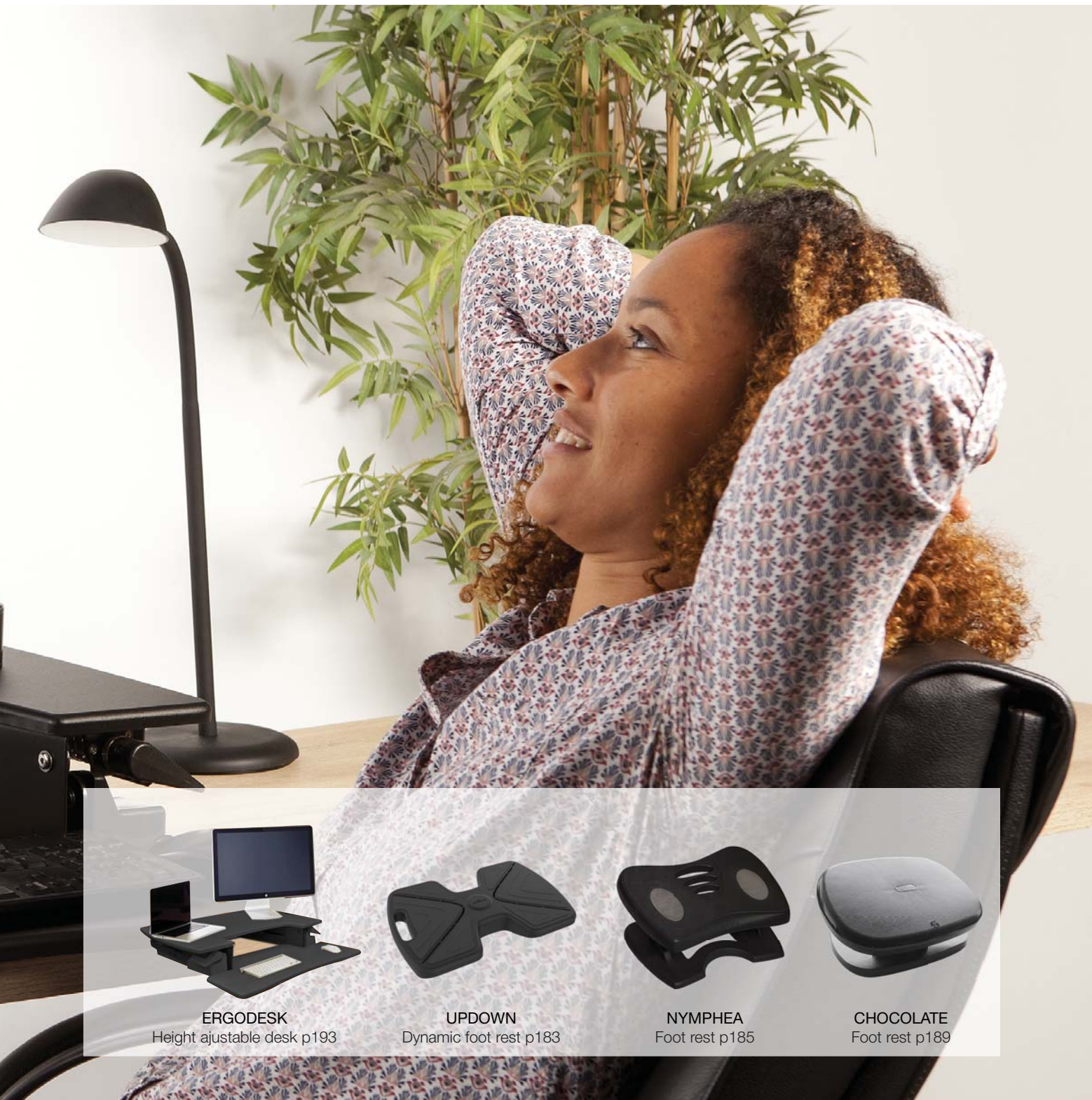
DUO
LED Lamp p91



STUDY
Monitor riser p195



R'PURE
Air purifier p201



ERGODESK
Height adjustable desk p193



UPDOWN
Dynamic foot rest p183



NYMPHEA
Foot rest p185



CHOCOLATE
Foot rest p189

ESSENTIAL LINE

OUR PRODUCTS SELECTION



SOL
LED lamp p39



WAVE
Clock p123



ACCUEIL
Coat stand p153



DELY
LED Uplighter p103



CHRYSALIS
Footrest p184



ESSENTIAL LINE



OUR PRODUCTS SELECTION



EASY
LED lamp p53



WAVE
Clock p123



FLORA
Coat stand p149



DELY articulated
LED Uplighter p105



NYMPHEA
Footrest p185



POP LINE

OUR PRODUCTS SELECTION



AMBIANCE
Fluorescent lamp p57



POP
Clock p119



ACCUEIL
Coat stand p153





POP LINE

OUR PRODUCTS SELECTION



JOKERLED 2.0
LED lamp p63



POP
Clock p119



ACCUEIL
Coat stand p153





PREMIUM LINE

OUR PRODUCTS SELECTION



SENZA 2
LED lamp p31



MEGA
Clock p143



VARIABLEX
LED Uplighter p101



HAKEA
Coat stand p155



UNILUX

PREMIUM LINE

OUR PRODUCTS SELECTION



INFINITY
LED lamp p87



MAXI WAVE
Clock p125



VARIAGLASS
LED Uplighter p99



CYPRES
Coat stand p157





ORIGIN LINE



OUR PRODUCTS SELECTION



EOLE
LED lamp p77



BALTIC
Clock p141



ACCESS
Coat stand p147

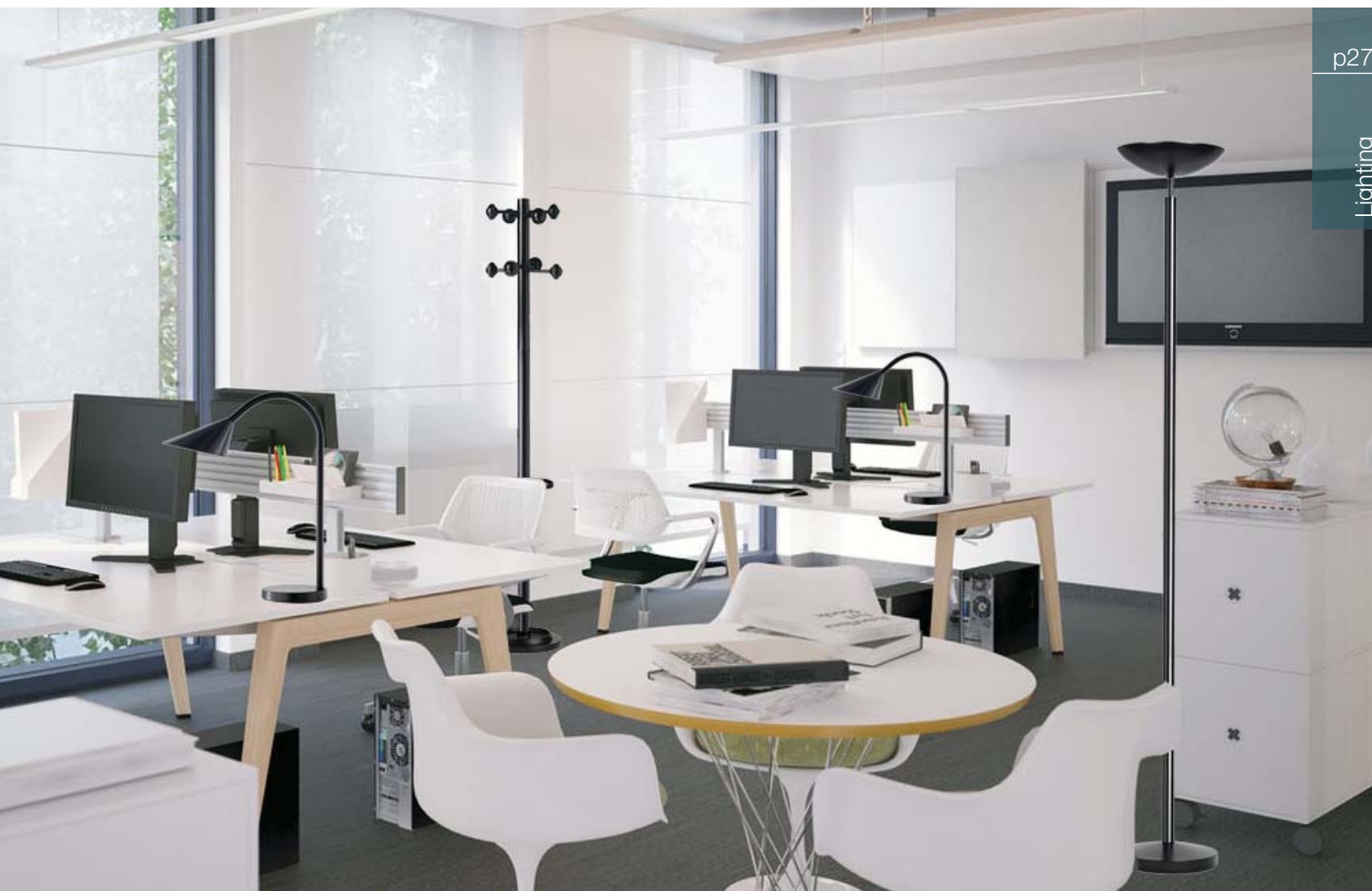


ORIGIN
Footrest p186





/ LIGHTING



EYELIGHT

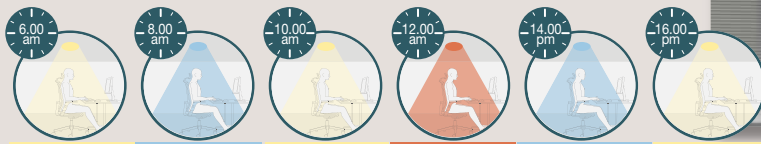
ERGONOMIC AND HEALTH BENEFITS

On measure lighting and Circadian cycle

EYELIGHT lamp is environmentally friendly, mercury free, and uses far less energy and lasts much longer than traditional light sources. Aesthetic and technological design are combined into this new design of EYELIGHT lamp: you have the possibility to adjust the brightness level to let the person enjoy the best possible light in any kind of environment: at home, in the office, or specific places by your smartphone.

The good quality of light at the right time of the day improves the feeling of well-being, intellectual performance and reduces the lack of concentration: This is called the circadian cycle.

OPTIMIZE YOUR CIRCADIAN CYCLE!!

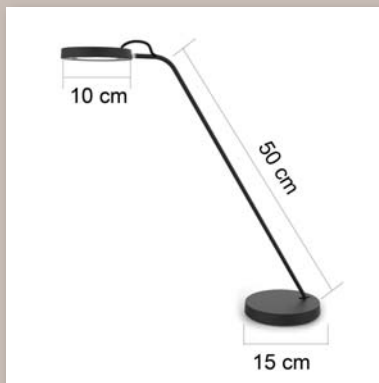


- SOFT LIGHT warm light 2700K (promote activities of relaxation, reading, lunch break, exchange between colleagues,...)
- NEUTRAL LIGHT 3200K - 4200K (Adjustment of lighting according to personal optical requirements)
- DYNAMIC LIGHT cold light 5200K (promotes concentration and increases productivity by stimulating serotonin secretion)



TECHNICAL FEATURES

● Dimensions



● Source

- LED built-in (cannot be replaced)
- Lifetime: 50 000h
- 400 Lumens
- 100 Lm/W
- 2700K to 5000K

A+

● Functions

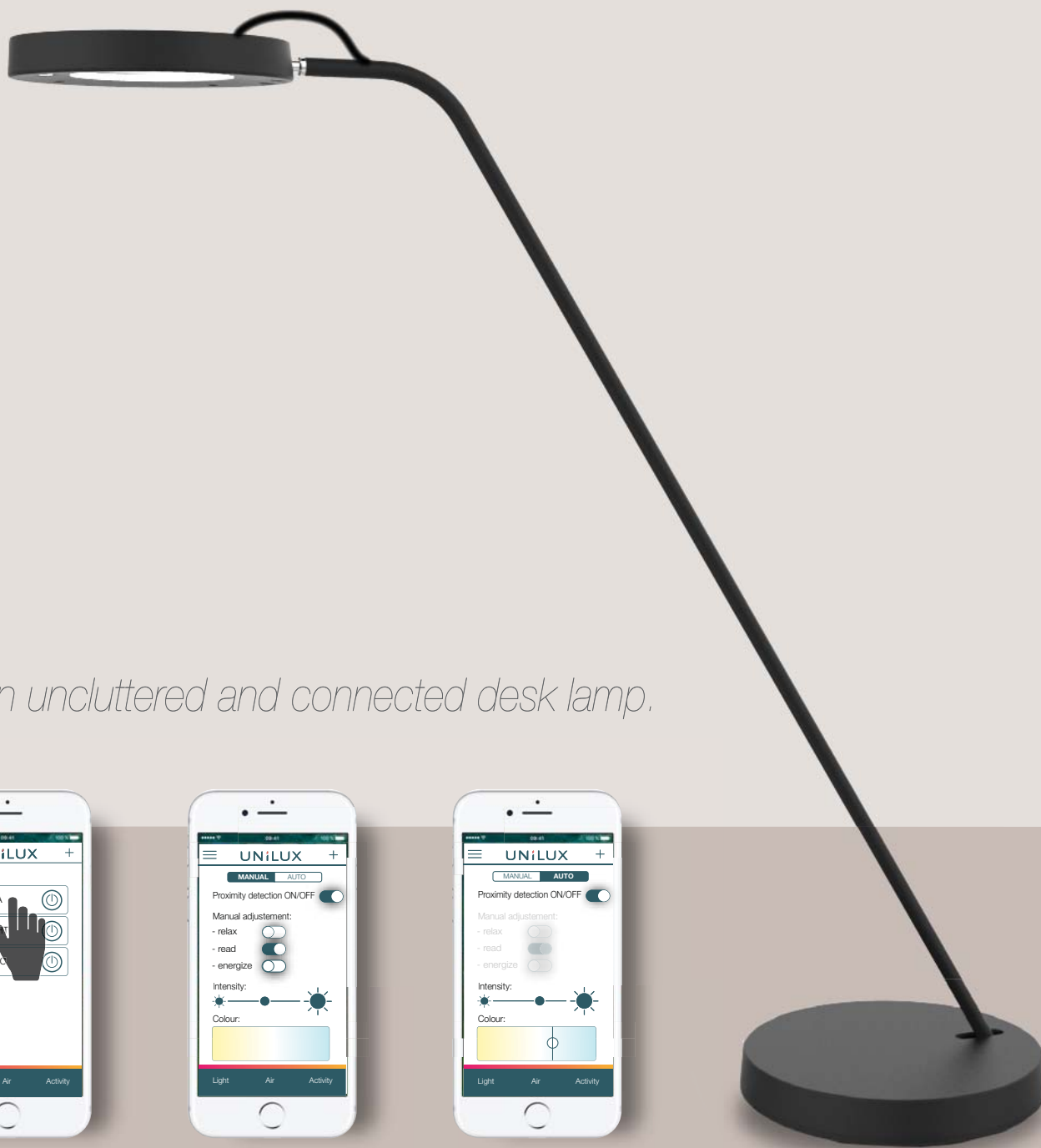
- Head swivelling in all directions and tilting arm
- Automatic or manual dimmer switch intensity and temperature colour
- Bluetooth connection

● Materials

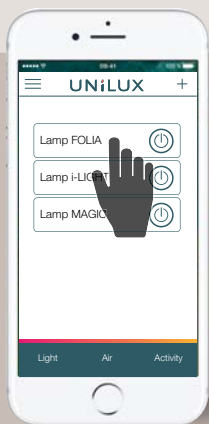
- ABS head and base
- Aluminium arm

● References

- 400093835 Black
- 400095547 Metal grey



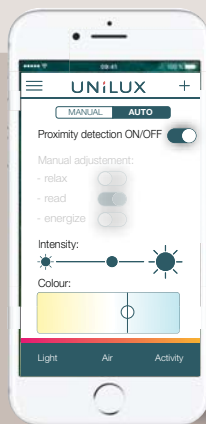
” *An uncluttered and connected desk lamp.*



Selected your lamp



*MANUAL Mode
Possible to adjust the lighting
and colour temperature*



*AUTO Mode
Circadian cycle*

SENZA 2

ERGONOMICS

On measure lighting

SENZA 2 is equipped with a very efficient LED lighting. Tactile dimmer switch located on the base makes it possible to adjust the 3 lighting intensities and colour temperature dimmer that correspond to different activities. Switch ON/OFF

DESIGN

In the office or at home

The thickness design of the head and the slenderness of the arm give the SENZA 2 lamp pure and original lines. The lamp is perfectly suitable both for the office and for home.

GREAT SIZE RANGE

And flexibility

SENZA 2 offers a wide range of adjustment thanks to its double arm with 3 articulations, fitted with compensation springs enabling perfectly fluid movements. The lamp swivels at 360° on the base, and the head can be moved in every direction.



TECHNICAL FEATURES

● Dimensions



● Source

- LED 5W (cannot be replaced)
- Lifetime: 50 000h
- 500 Lumens
- 100 Lm/W
- 3000K to 6500K

A+

● Functions

- Tilting arm
- Tactile dimmer switch(4 steps) and adjustable colour temperature located on the head
- Memorization of brightness and colour

● Materials

- Aluminium
- Iron
- ABS

● Reference

400092054 Metal grey



” *A design lamp very pleasant to use:
wide range of motion and fluidity
of movements.*



JAZZ

ERGONOMIC

On measure lighting

JAZZ is equipped with a very efficient 11W LED lighting. Tactile dimmer switch located on the base makes it possible to adjust the lighting intensities and colour temperature that correspond to different activities:

- working
- reading
- relaxing).

Jazz makes it possible to get an on measure lighting

DESIGN

Uncluttered lines

JAZZ lamp has a recognizable design with thin and uncluttered lines. JAZZ's head is no more than 1 cm thick which gives it a very elegant appearance.

WIRELESS CHARGER

Product benefit

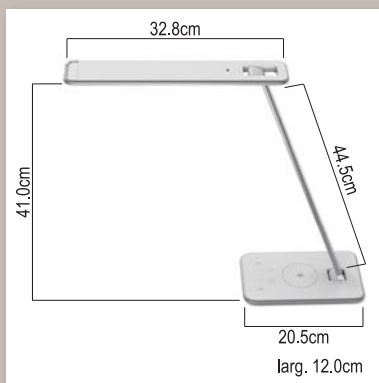
Compatible with all smartphones.

If your smartphone isn't fitted with a wireless charging option, simply add a charging case.



TECHNICAL FEATURES

● Dimensions



● Source

- LED built-in (cannot be replaced)
- Lifetime: 50 000h
- 1000 lumens
- 90 Lm/W
- 3000K/4000K/5000K

A+

● Functions

- Tilting head and arm
- Dimmer switch intensity (5 steps) and temperature
- Memorization of brightness and colour
- Wireless charger
- USB charger

● Materials

- Aluminium arm
- Plastic base and head

● Reference

400093836 Metal grey/white



RoHS



” *An uncluttered and ergonomic desk lamp.*



USB charger

Wireless charger

JACK

ERGONOMIC

On measure lighting

JACK is equipped with a very efficient 6W LED lighting. Tactile dimmer switch located on the base makes it possible to adjust the lighting intensities that correspond to different activities:

- Working
- Reading
- Relaxing



USB CHARGER

Product benefit

JACK is equipped with an USB port to charge smartphones. USB cable not included.

DESIGN

Simple and elegant

The head in elliptical shape increases the diffusion of the lighting on the work surface. Compact and articulated it can perfectly be integrated on any desk surfaces.



TECHNICAL FEATURES

● Dimensions



● Source

- LED 6W (cannot be replaced)
- Lifetime: 40 000h
- 600 Lumens
- 100 Lm/W
- 2900K/3500K/4000K

A+

● Functions

- Dimmer switch intensity (4 steps) and temperature colour on the base
- USB charger

● Materials

- ABS

● Reference

400077430 Black



” *A lamp is both elegant and functional*



USB charger

LUCY

ECONOMIC

On measure lighting

LUCY is equipped with a very efficient LED lighting. Tactile dimmer switch located on the base makes it possible to adjust the 3 lighting intensities and 3 lighting color temperature that correspond to different activities.

DIFFUSION

Optimal diffusion

LUCY ensures a perfect lighting diffusion with the LED technology and elongated shade: no glare and better visual comfort.

DESIGN

REFINED AND ROUNDED CURVE

LUCY lamp has a recognizable design with soft and fluid lines. Lucy is available in black and white colors and adapts itself to every type of atmosphere of workspace.



TECHNICAL FEATURES

● Dimensions



● Source

- LED built-in (cannot be replaced)
- Lifetime: 15 000h
- 500 lumens
- 100 Lm/W
- 3200K/4500K/5200K

A+

● Functions

- Flexible arm
- Dimmer switch intensity (3 steps) and temperature colour on the base

● Materials

- Metal arm with elastomer
- Head and base in plastic

● References

- 400093640 Black
- 400093614 White





”

*A design and effective lamp to be used
in everyday life.*

UNILUX

SOL

/ LED LIGHTING

Optimal quality

SOL lamp is equipped with integrated LED with very high lighting quality.
Lifetime of the source: about 20 000 hours.

/ TIMELESS DESIGN

Design from a French collaboration

SOL allies simplicity and modernity. She shape of the head gives greater diffusion on the work surface.

/ COLORS AND FUNCTIONS

Flexible arm

SOL is available in 4 different colours and is equipped with a flexible top of the arm so that it is easily adjustable in all directions.



TECHNICAL FEATURES

● Dimensions



● Source

- LED 4W
- Lifetime: 20 000h
- 500 Lumens
- 100 Lm/W
- 3000K



● References

- 400077402 Black
- 400077404 White
- 400077405 Blue
- 400077406 Red

● Functions

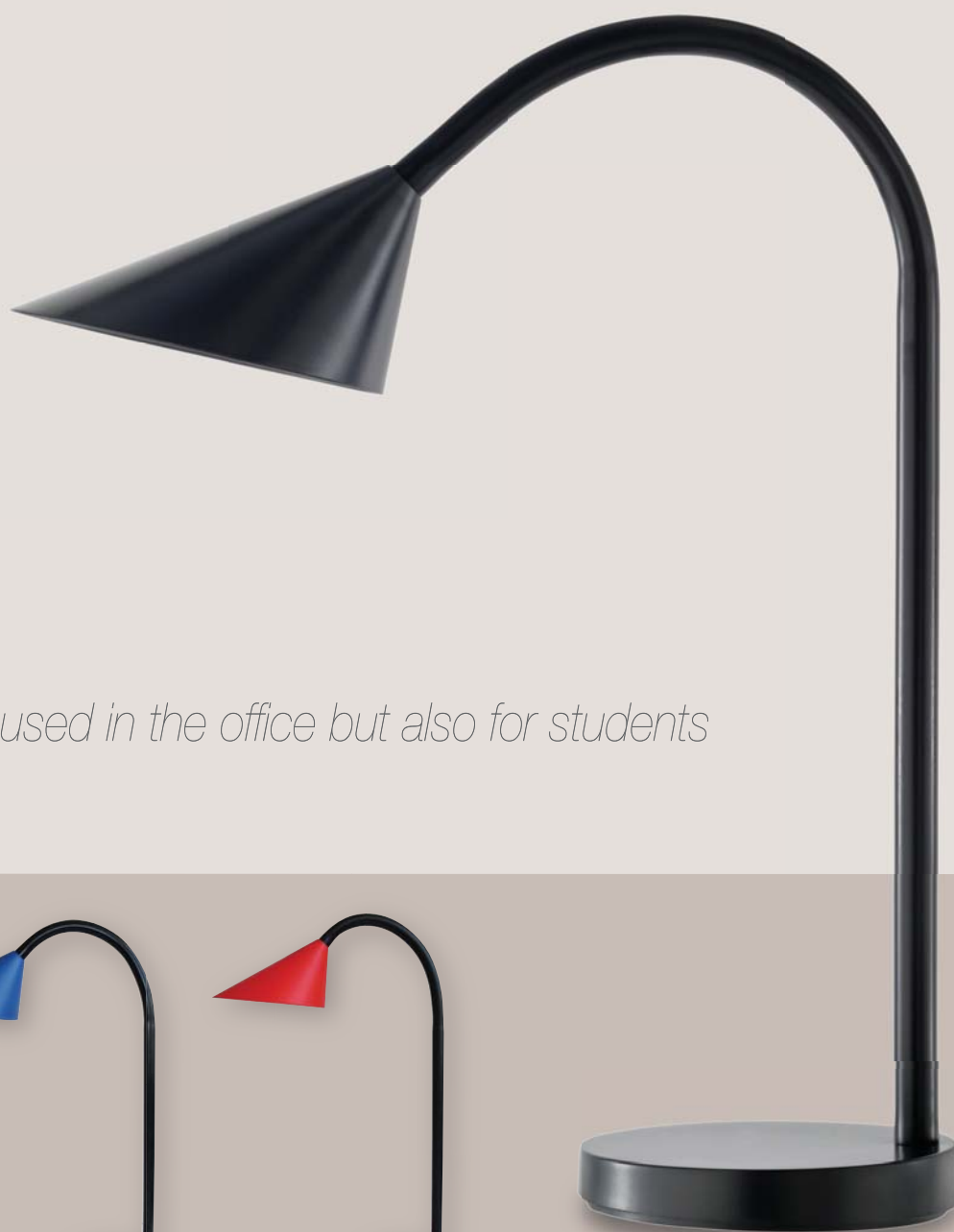
- Switch ON/OFF on the cable
- Flexible arm

● Materials

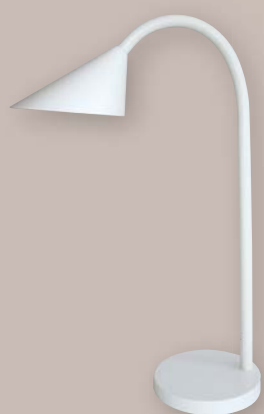
- ABS
- Metal arm with elastomer



RoHS



” *Perfect to be used in the office but also for students*



UNILUX

FLEXIO 2

/ LED LIGHTING

Low consumption

Very low electric consumption. The shade is recovered inside with an enamelled painting for a better reflection of light.
Lifetime of the source: 50 000h.

/ DESIGN

Sobriety and modernity

FLEXIO 2 ensures a perfect lighting diffusion with the LED technology and elongated shade : no glare and better visual comfort.

/ PRODUCT BENEFITS

Nice finishes for a good price

Thanks to its ballasted base, FLEXIO 2 is a staunch resistant product. Made of metal with Epoxy coating, the desk lamp is available in 4 trendy colors. With its competitive price, FLEXIO 2 is a lamp with a very good value for money.



TECHNICAL FEATURES

● Dimensions



● Source

- LED bulb 5W E14 (supplied)
- Lifetime: 50 000h
- 400 lumens
- 90 Lm/W
- 3000K

A+

● References

- 400093687 Black
- 400093692 Metal grey
- 400093694 Green
- 400093695 Blue

● Functions

- Flexible arm
- Switch ON/OFF on the cable

● Materials

- Flexible arm
- Shade and base metal with Epoxy coating



” *Compact and an elegant desk lamp,
it particularly fits small desks.*



SUCCESS 66

/ ENTRY LEVEL FOR A ROBUST DESIGN

A timeless lamp

Lamps from the range SUCCESS are timeless architect lamps with a universal design that has been attracting for decades. SUCCESS is particularly robust with metallic tubes arm. Switch ON/OFF on the cable.

Delivered with its base, clamp and without bulb, SUCCESS offers an ultra competitive price.

/ ERGONOMIC

And easy handling

Very easy to handle with the rotating double arm equipped with balancing springs that facilitate the positioning in any direction.

/ RANGE DESCRIPTION

Wide choice

SUCCESS is available in 3 different arm lengths including 66cm, 80cm and 105cm and also in 2 different colours: black and white



TECHNICAL FEATURES

● Dimensions



● Source

- WITHOUT BULB

● Functions

- Double arm
- Switch ON/OFF on the cable

● Materials

- Metal with Epoxy painting

● References

400093600 Black base+clamp
400093578 White base+clamp



*The easiest way to handle classic architect lamp.
Compact size for small work plans
or student desks.*



SUCCESS 80

ENTRY LEVEL FOR A ROBUST DESIGN

A timeless lamp

Lamps from the range SUCCESS are timeless architect lamps with a universal design that has been attracting for decades. SUCCESS is particularly robust with metallic tubes arm. Switch ON/OFF on the cable.

Delivered with its base, clamp and without bulb, SUCCESS offers an ultra competitive price.

ERGONOMIC

And easy handling

Very easy to handle with the rotating double arm equipped with balancing springs that facilitate the positioning in any direction.

RANGE DESCRIPTION

Wide choice

SUCCESS is available in 3 different arm lengths including 80cm, 66cm and 105cm and also in 2 different colours: black and white



TECHNICAL FEATURES

● Dimensions



● Source

- WITHOUT BULB

● Functions

- Double arm
- Switch ON/OFF on the cable

● Materials

- Metal with Epoxy painting

● References

400093579 Black base+clamp
400093610 White base+clamp



” *Classical architect lamp and very easy to handle.
Mid-size for work plan of average dimensions.*



TERRA

/ DESIGN

Thin lines

TERRA lamp has a recognizable design with thin and uncluttered lines. Terra's head is no more than 1 cm thick which gives it a very elegant appearance.

/ ECONOMICAL

With intensity variation

It is equipped with high performing LED with low consumption. TERRA also offers 4 lighting intensities so that everyone can adjust it according to their needs throughout the day. The tactile dimmer switch is located on the base.

/ DIFFUSION

Optimal diffusion

TERRA lamp ensures a perfect lighting diffusion with the Edge LED technology: no glare and better visual comfort.



TECHNICAL FEATURES

● Dimensions



● Source

- LED 5W
- Lifetime: 40 000h
- 500 Lumens
- 100 Lm/W
- 3500K

A+

● Functions

- Double articulation
- Adjustable head and arm
- Tactile dimmer switch on the base(4 steps)

● Materials

- Recyclable aluminium

● Reference

400077409 Metal grey and Black



RoHS



”

Practical and economical lamp very pleasant to use daily with its 4 lighting intensities!



Ultra compact

RUMBALED

/ ECONOMIC

Competitive price

RUMBALED is equipped with a very efficient 6W LED lighting. Tactile dimmer switch located on the base makes it possible to adjust the lighting intensities that correspond to different activities (working, reading, relaxing). It is possible to adjust the lighting.

/ DESIGN

Slender lamp with a single arm

The head in elongated and slender shape increases the diffusion of the lighting on the work surface. Compact and articulated it can perfectly be integrated on any desk surface. The switch ON/OFF located on the head is easy to access.

/ PRODUCT BENEFITS

Finishes quality

Thanks to its ballasted base, RUMBALED is a strong resistant product with good stability.



TECHNICAL FEATURES

● Dimensions



● Source

- LED built-in (cannot be replaced)
- Lifetime: 50 000h
- 380 lumens
- 110 Lm/W
- 4000K

A+

● Functions

- Simple arm
- Switch ON/OFF on the head

● Materials

- ABS
- Metal base with Epoxy coating

● Reference

400093720 Black



” *Compact, it is right for desks.*

MAMBOLED

/MONEY-SAVING

At short and long term

MAMBOLED presents a lot of qualities:

- A good luminous efficacy: 109 lm/w
= good lighting for a low consumption
- Consumes twice less than a fluorescent lamp
= real electricity cost-savings

/QUALITATIVE

MAMBOLED provides a quality lighting: powerful and warm. It is equipped with a diffuser enabling a better sharing out of the light on the work surface.

/MOVEMENTS

Double arm

Its double articulated arm equipped with compensation springs allows very large and smooth movements. Its head is revolving in all directions. Supplied with base and clamp.



TECHNICAL FEATURES

● Dimensions



● Source

- LED 5,6W
- Lifetime: 40 000h
- 460 Lumens
- 109 Lm/W
- 3050K



● Functions

- Switch ON/OFF on the head
- Double articulated arm

● Materials

- ABS
- Aluminium recyclable

● References

- 400033683 Black
- 400033684 Metal grey



” *A small investment for a very good lighting quality*

EASY

/ ECONOMIC

... with adjustable lighting

EASY is equipped with a very efficient LED lighting. Tactile dimmer switch located on the base makes it possible to adjust the 3 lighting intensities that correspond to different activities.

/ USB CHARGER

Product benefit

EASY is equipped with a USB port for charging smartphones. USB cable not included.

/ DESIGN

Simple and elegant

The head in elliptical shape increases the diffusion of the lighting on the work surface. Compact with flexible arm, it can perfectly be integrated on any desk surfaces.



TECHNICAL FEATURES

● Dimensions



● Source

- LED built-in (cannot be replaced)
- Lifetime: 50 000h
- 500 Lumens
- 100 Lm/W
- 3000K

A+

● Functions

- Flexible arm
- Tactile dimmer switch on the base(3 steps)
- USB charger

● Materials

- Metal arm with elastomer
- Head and base in plastic

● References

- 400093833 Black
- 400093834 White



RoHS



” *A desk lamp simple and efficient to use everyday.*



USB charger

ROMY

/ LIGHTING

Economical and efficient

ROMY offers an optimal lighting that avoids reflects. Lighting is indirectly reflected by the shade and it offers a better reflexion on the work surface. Lifetime of the source: about 40 000 hours.

/ CLASSICAL DESIGN

Reassuring shapes

The pure design of ROMY makes it possible to fit any type of atmosphere.

/ PRODUCT ADVANTAGES

Finishing quality

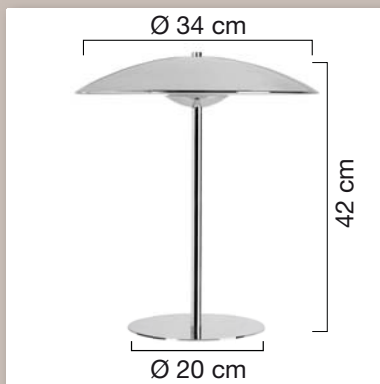
ROMY benefits from very nice finishes both in chrome and white versions.

The base has great stability and the lamp has a very modern look with its uncluttered style that is very appealing.



TECHNICAL FEATURES

● Dimensions



● Source

- LED 10W
- Lifetime: 40 000h
- 1000 Lumens
- 100 Lm/W
- 3500K



● Functions

- Switch ON/OFF on the cable

● Materials

- Metal

● References

- 400077407 Chrome
- 400077408 White



RoHS



” *A lamp that will fit any desk.*



CRISTAL

/ LIGHTING

Economic et efficient

CRISTAL is supplied with 2 LED bulbs of 2x5W socket E14.
Very low energy consumption.
Lifetime of the sources : about 50 000 h.
Economic and quality lighting !

/ TECHNOLOGY

Touch operated lamp

This table lamp switches on and off with a simple finger touch on a metal part of the product (Touch system) :
no more waste of time looking for the switch.
Playful and technological function.

/ PRODUCT BENEFITS

UNILUX quality

The oblong bowl of the CRISTAL is designed in frosted glass filtering the light : soft and perfectly diffused lighting.
Stable base and tapering bottom part of the foot, giving the lamp a modern and slender look.



TECHNICAL FEATURES

● Dimensions



● Source

- 2 LED bulbs 5W E14
- Lifetime: 50 000h
- 900 Lumens
- 90 Lm/W
- 3000K

A+

● Functions

- Tactile dimmer
- 3 intensities

● Materials

- Metal, chromium-plated steel
- Frosted glass

● Reference

400064642 Metal grey



RoHS



”

Little tactile table lamp with very good value for money. Ideal of reception halls and professions.

URBAN LED

/ LED

Economic and efficient

URBAN LED is supplied with a LED tube 8W : the lighting quality of LED is combined with a low energy consumption, compared to a halogen or incandescent lighting material. Urban 2.0 lamp ensures a perfect lighting diffusion with the Edge LED technology: no glare and better visual comfort.

/ DESIGN

Fruit of a French collaboration

Design made in France (FRESH Agency). The simple arm of the URBAN LED lamp is fitted with a high and low double articulation allowing an optimal adjustment of the product.

/ ERGONOMIC

Double arm articulation

Arm tilting and swivelling at 360° on the base. Adjustable head. Switch with easy access, located behind the head. Round small ballasted base.

Available in 2 colours: black, white



TECHNICAL FEATURES

● Dimensions



● Source

- LED 8W
- Lifetime: 50 000h
- 700 Lumens
- 100 Lm/W
- 3500K



● References

- 400093963 Black
- 400093964 White

● Functions

- Arm tilting and swivelling at 360°
- Switch ON/OFF on the head

● Materials

- ABS / PP
- Arm made of aluminium



” Careful and original design.
Fits any kind of desk (size, style, colour)

JOKERLED 2.0

/ PERFORMING

Economic and performant

This new version of the JOKERLED lamp is equipped with the best LED quality you can find on the market: Very high efficiency and high colour rendering .
Other advantage: the LED module can be replaced as easily as a bulb.

/ LIGHTING QUALITY

Comfort and wellness

JOKERLED 2.0 diffuses a warm lighting very pleasant and without danger for the eyesight. The asymmetrical lighting eliminates glare and limits the contrast avoiding eyestrain and headaches.

/ DESIGN

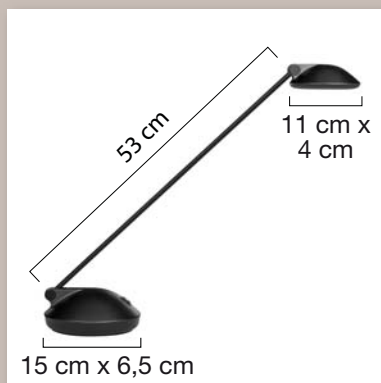
Modernised version of a best seller

JOKERLED 2.0 was restyled by the famous French designer internationally known Patrick Jouffret. He perfectly managed to modernise the lines by keeping the rounded shapes and harmonious proportions that made it a very successful lamp. JOKERLED 2.0 is an essential model that will perfectly fit any office.



TECHNICAL FEATURES

● Dimensions



● Source

- LED 6W
- Lifetime: 40 000h
- 700 Lumens
- 108 Lm/W
- 2900K
- CRI: 90



● References

- 400064432 Black
- 400064437 White
- 400064434 Metal grey
- 400064438 Blue
- 400064436 Lilac
- 400064435 Anise

● Functions

- Tilting head and arm
- Switch ON/OFF on the base
- 3 positions Off, 70% and 100%

● Materials

- ABS plastic



” *A powerful lighting and a subtle design,
JOKERLED 2.0 offers an excellent
quality/price ratio.*



UNILUX

SWINGO LED

/ LIGHTING

Economical and efficient

SWINGO LED is equipped with a very efficient LED lighting. Tactile dimmer switch located on the head makes it possible to adjust the 3 lighting intensities that correspond to different activities.

/ DESIGN

Ergonomic double arm

Equipped with spring-balanced double arm enabling a great ease of movement and the lifetime of the product. Double articulated arm enabling to adjust the lampshade always in parallel to the working surface. Switch located on the lampshade for an easy access. Modern shapes. Available in two colours: black or white.

/ PRODUCT + POINTS

Different fixing systems available

SWINGOLED is supplied with a 2.3kg base or a clamp (max gap: 55mm). Base + clamp pack available



TECHNICAL FEATURES

● Dimensions



● Source

- LED built-in (cannot be replaced)
- Lifetime: 50 000h
- 700 Lumens
- 100 Lm/W
- 3000K

A+

● Functions

- Double articulations arm
- Tactile dimmer on the head(3 steps)

● Materials

- ABS for head
- Base and arm metal with Epoxy coating

● References

- 400093838 Black base+clamp
- 400093839 White base+clamp



” *Ergonomic desk lamp. Perfect ease of movement.
Suitable for any kind of desks.*

DISC

/ HIGH PERFORMANCE

... and lasting

DISC is equipped with the latest generation of LED, very efficient: 590 lumens, luminous efficacy of 107 lm/w, for a lifetime of 40 years. With a very low energy-consumption, DISC allows to save up to 80% on the power cost, and its environmental impact is low.

/ VISUAL COMFORT

Ergonomics and well-being

The DISC lamp provides an optimal lighting:

more than 500 Lux on the work surface

Asymmetrical: avoids glare situations and limits contrasts

A warm colour temperature: 2900 K

A good colour rendering : IRC > 83

/ SMART

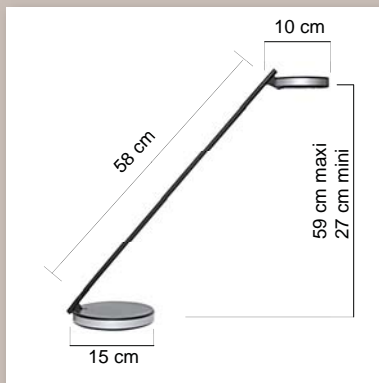
Clean and modern lines

Very nice clean lines, with a smart symmetry between the head and the base. DISC can suit any environment, modern or classical.



TECHNICAL FEATURES

● Dimensions



● Source

- LED built-in (cannot be replaced)
- Lifetime: 40 000h
- 590 lumens
- 107 Lm/W
- 2900K



● Reference

100340421 Black and metal grey

● Functions

- Tilting head and arm
- Switch located under the head

● Materials

- ABS
- Recyclable aluminium



RoHS



” *DISC diffuses a powerful energy-efficient and quality lighting. Fits any kind of office.*

SUCCESS 80 chrome

/ LED LIGHTING

Low consumption and performing

LED Chrome Success is fitted with a performing LED bulb of 1000 Lumens. Very low electric consumption. It has a ventilated shade and is recovered inside with an enamelled painting for a better reflection of the lighting. Source's lifetime: 30 000 hours. Qualitative and economic lighting !

/ DESIGN

Top of the range lamp

The lamps from the SUCCESS range are architect lamps with universal and timeless design that have been attracting for decades. The chromium-plated version is the top of the range version and it is very successful.

/ ERGONOMICS

And handiness

Very handy with the rotating double-articulated arm equipped with balanced springs making it possible to adjust it in all directions.



TECHNICAL FEATURES

● Dimensions



● Source

- 1 LED bulb 11W E27(fitted)
- Lifetime : 30 000h
- 90 Lm/W
- 3000K



● Reference

400092123 Chrome base+clamp

● Materials

- Metal with Epoxy painting





” *The top-of-the-range and very handy architect lamp at an affordable price.*

TERTIO LED

/ LED

Economic and efficient

TERTIO LED is supplied with a LED tube 8W: the lighting quality of LED is combined with a low energy consumption, compared to a halogen or incandescent lighting material.

TERTIO LED lamp ensures a perfect lighting diffusion with the Edge LED technology: no glare and better visual comfort.

/ DESIGN

A dynamic and slender lines

/ ERGONOMIC

Double articulation

The arm of the TERTIO LED lamp is fitted with a low and high double articulation with a tightening screw, enabling an optimal adjusting of the product. The switch is located sideways on the head, which makes it easy to reach.



TECHNICAL FEATURES

● Dimensions



● Source

- LED 8W
- Lifetime: 50 000h
- 700 Lumens
- 100 Lm/W
- 3500K



● Functions

- Double articulated arm
- Switch ON/OFF on the head

● Materials

- ABS
- Glass fiber reinforced ABS

● Reference

400093969 Black



” *Made in France and distributed at the best price.
All the visual comfort of an LED lighting.*

UNILUX

ILLUSIO

/ DESIGN

Nice and functional

The « trompe-l'œil » effect of the cable that gets out of the head and seems to run in parallel alongside the arm give the ILLUSIO lamp a trendy look that everyone likes immediately.

The lamp is turned on and off very easily thanks to the tactile dimmer-switch located under the head. The moving fluidity enables to adjust the lamp easily according to your needs.

/ SMART

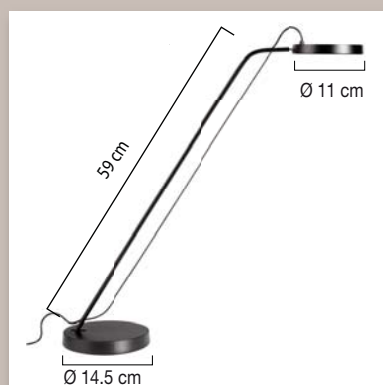
Fitted with all options:

Tactile switch with dimming of light intensity memorization of intensity adjustment. Automatic switch-off after 5 hours without use: money-savings and safety.



TECHNICAL FEATURES

● Dimensions



● Source

- LED 6.5W
- Lifetime: 40 000h
- 602 Lumens
- 93 Lm/W
- 3100K

A+

● Reference

400036264

● Functions

- 2 articulations: tilting head and arm
- Dimming of the light intensity and memorization of the intensity adjustment
- Switch off after 5 hours

● Materials

- ABS
- Heat resistant PBT
- Recyclable aluminium



” *An irresistible lamp that combines design, high-performance and functionality.*

UNILUX

BRIO 2.0

/LED

Economic and performant

BRIO 2.0 is supplied with a LED tube 8W: the lighting quality of LED is combined with a low energy consumption, compared to a halogen or incandescent lighting material.

Good diffusion of light on the work surface thanks to its elongated head.

/DESIGN

A modernity french touch

The design of the lamp BRIO 2.0 was revisited. It brings dynamism and modernity while keeping the charm and cost eassuring of the Fluorescent Brio.

/ERGONOMIC

Double articulation

The arm of the BRIO 2.0 lamp is fitted with a double (upper and lower) articulation with a tightening screw, enabling an optimal adjustment of the product. Its switch is located on the base for an easy access.



Made in France

TECHNICAL FEATURES

● Dimensions



● Source

- LED 8W
- Lifetime: 50 000h
- 700 Lumens
- 100 Lm/W
- 3500K



● Functions

- Head and arm tilting
- Switch ON/OFF on the base

● Materials

- ABS plastic

● Reference

400093669 Black



” *Made in France and distributed at the best price.
All the visual comfort of a LED lighting.*

EOLE

/ LED

Economic and performant

EOLE is equipped with LED 8W lighting: the quality of LED lighting associated with has a low power consumption compared to a halogen or incandescent fixture.
Good diffusion of light on the worktop thanks to its elongated head.

/ ECO-FRIENDLY PRODUCT

Responsible purchasing

The plastic parts of the EOLE lamp are made from recycled plastics. UNILUX contributes to the preservation of natural resources and reduces your own environmental impact.

/ ERGONOMIC

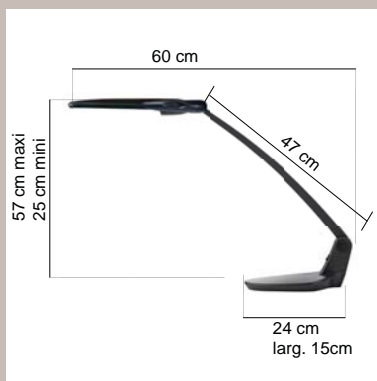
Double articulation arm

The arm of the EOLE lamp is fitted with a low and high double articulation with a tightening screw, enabling an optimal adjusting of the product. The switch is located sideways on the head, that makes it easy to reach.



TECHNICAL FEATURES

● Dimensions



● Source

- LED 8W
- Lifetime: 50 000h
- 700 Lumens
- 100 Lm/W
- 3500K



● Functions

- Tilting head and arm
- Switch ON/OFF on the head

● Materials

- ABS recyclable

● Reference

400095733 Black



RoHS



*Pioneer in the eco-friendly lighting market!
Natural resources preserved.
Beautiful lighting quality.*

UNILUX

FOLIA

/SMART

Technology and ergonomics

FOLIA is fitted with a lot of options of the latest technology, making the use of the lamp easier and enabling anybody to adjust the lighting according to their needs.

It diffuses a warm and asymmetrical light for an ideal visual comfort.

/DESIGN

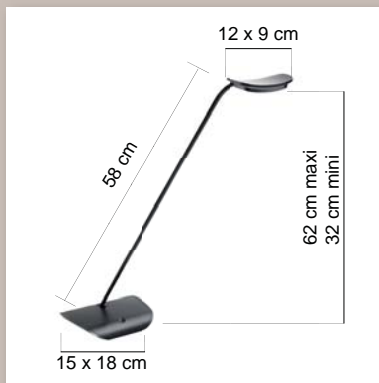
Gracious and ethereal

Its gracious and ethereal lines give the lamp a great charm. It brings a touch of lightness on the desk.



TECHNICAL FEATURES

● Dimensions



● Source

- LED built-in (cannot be replaced)
- Lifetime: 40 000h
- 520 lumens
- 93 Lm/W
- 3000K

A+

● Functions

- Tilting head and arm
- Dimming of the light intensity and memorization of the intensity adjustment
- Switch off after 5 hours

● Materials

- ABS

● References

- 400020346 Black
- 100340438 White and metal grey



” *A design lamp that lights perfectly.
Suitable for any type of office.*



UNILUX

ODY

/ ECONOMIC

... with lighting adjustable

ODY is equipped with a very efficient LED lighting. Tactile dimmer switch located on the base makes it possible to adjust the lighting intensity (5 steps) that correspond to different activities:

- working
- reading
- relaxing

/ DESIGN

Sober and square

The square head shape increases the diffusion of the lighting on the work surface. It can perfectly be integrated on any desk surfaces.

/ USB PORT

Product benefit

ODY is equipped with an USB port for charging smartphones. USB cable not included



TECHNICAL FEATURES

● Dimensions



● Source

- LED 8W
- Lifetime: 50 000h
- 800 Lumens
- 100 Lm/W
- 3500K

A+

● Functions

- Tilting head and arm
- Dimmer switch on the base (5 steps)
- Memorisation of brightness
- USB charger

● Materials

- Aluminium arm
- Head and base in plastic

● Reference

400095777 Metal grey



RoHS



” *A desk lamp simple and efficient to use everyday.*

ERGOLIGHT

/SPACE-SAVING

In the office or at home

ERGOLIGHT has been specially designed for optimizing the work space wherever you are, in the office or at home; the lamp is placed behind the computer screen, allowing to save much space on the desk. Its numerous adjusting possibilities: in height, in depth, and its head swivelling in all directions, enable you to put it at the very right place whatever the size of the screen may be.

/ERGONOMICS

Neither glare nor dazzle

The LED of ERGOLIGHT are fitted with lenses allowing to direct the luminous flux and to bring it onto the work surface with no glare on the screen, no dazzling, and reduced contrasts.

/SMART

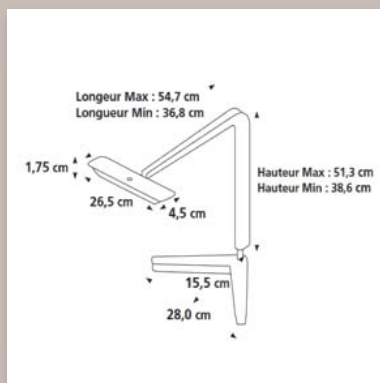
+ economical and + safe

ERGOLIGHT is equipped with all options, and particularly a motion detector allowing to avoid any useless energy consumption: the lamp switches off automatically after 15 minutes if no movement is detected.



TECHNICAL FEATURES

● Dimensions



● Source

- LED 5,6W
- Lifetime: 40 000h
- 520 Lumens
- 93 Lm/W
- 3000K

A+

● Functions

- Arm adjustable in height, revolving on the base.
- Head swivelling in all directions, adjustable forwards-backwards
- Dimming of the light intensity and memorization of the adjustment
- Switch OFF after 15 minutes

● Materials

- ABS
- Recyclable aluminium

● Reference

100340991 Black



” *A lamp that combines optimization of the space,
visual ergonomics and smart options.*

SENSATION

/ INNOVATIVE

And economical

In order to avoid that the lamp remains lit on and consumes energy whereas nobody is using it, SENSATION switches off automatically after 15 minutes if no motion is detected, thanks to a detector located under the head. Fitted with LED, SENSATION is a lamp that consumes very little power.

/ FLEXIBILITY

And design

SENSATION has many adjustment possibilities thanks to the 2 flexible articulations of its arm, which make its movements and its use easy.

Head and base have been designed in a subtle way, they are made of transparent plastic.

/ HIGH-PERFORMANCE

And ergonomic

SENSATION is equipped with high-performance LED that consume little and last 40 years. The lamp is fitted with a lot of product advantages; among which the asymmetrical lighting for a better diffusion of the light on the work surface.



TECHNICAL FEATURES

● Dimensions



● Source

- LED built-in (cannot be replace)
- Lifetime: 40 000h
- 420 lumens
- 93 Lm/W
- 3000K

A+

● Functions

- 2 flexible articulations
- Dimming of the light intensity and memorization of the intensity adjustment
- Motion detector under the head

● Materials

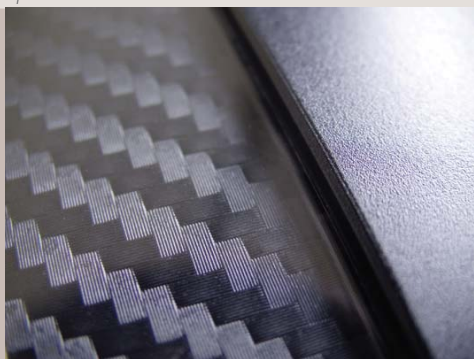
- ABS
- Recyclable aluminium
- PMMA

● Reference

100340449 Black



” *A smart lamp that consumes little energy.
Fits any kind of desk.*



MAGIC

/ DESIGN

And ideal handiness

The thinness of the arm, the head and the base give the MAGIC lamp a natural elegance that everyone likes immediately. Its movements are perfectly fluid and allow a wide range of motion:

- Triple articulation of the arm, revolving at 360° on the base
- Head swivels in all directions. « It is simply perfect »

/ VISUAL COMFORT

And energy-saving

MAGIC is equipped with LED of the latest generation, lasting 40 years and providing a powerful lighting for a very low electricity consumption. Fitted with lenses, the LED operate an excellent diffusion of the light on the work surface, thus avoiding any eyestrain.

/ SMART

Fitted out with all options:

Tactile switch with dimming of the light intensity.
Memorization of the intensity adjustment.
Switching off after 5 hours without use: no unnecessary consumption.



TECHNICAL FEATURES

● Dimensions



● Source

- LED built-in (cannot be replaced)
- Lifetime: 40 000h
- 520 lumens
- 93 Lm/W
- 3000K

A+

● Functions

- Arm with triple articulation, swivelling at 360° on the base.
- Head revolving in all directions.
- Dimming of the light intensity and memorization of the intensity adjustment
- Switch OFF after 5 hours

● Materials

- ABS
- Recyclable aluminium

● Reference

400016681 Black



” *MAGIC, a perfect lamp: design, functional, diffusing a quality lighting. Fits any kind of desk.*



DUO LED

/ LED

Efficient and visual comfort

DUO LED provides an ideal visual comfort, especially when using computer workstations. Fitted with a reflector and a low luminance diffuser, it diffuses an asymmetric lighting enabling it to light up both the keyboard and the documents, thus reducing contrasts and dazzling, which are source of eyestrain and headaches.

The lamp is equipped with 2 tubes 5W and 2 switches located under the head : that allows the user to bring light only on the keyboard while switching on only one tube, or on the keyboard and the documents at the same time while turning on both switches: flexibility and savings.

/ DESIGN

Adjustment just as you like

The head of the DUO LED lamp is adjustable in all directions. Its arm swivels at 90° on the foot. Its large streamlined head provides a large diffusion spectrum.

/ BENEFIT PRODUCT

Approval

DUO LED is approved for High-rise buildings and Public-Access buildings (PAB).



TECHNICAL FEATURES

● Dimensions



● Source

- LED 2x5W
- Lifetime: 50 000h
- 1000 Lumens
- 100 Lm/W
- 3500K



● Functions

- Swivelling arm
- Head adjustable in all directions
- Switch ON/OFF on the head

● Materials

- ABS, Steel, Santoprene
- Recyclable Aluminium

● Reference

400093984 Black



RoHS



” *Ergonomic desk lamp ideal for computer work.
Two LED tubes with separate lighting.*



UNILUX

MINI ZOOM

/PRECISION

For meticulous tasks

MINI ZOOM was created to facilitate the daily activity of professionals and people doing activities requiring meticulousness and attention. This magnifying lamp is equipped with a Ø 9,5cm lens with 3 dioptries (x1,75), without deformation on the sides and a top-lens of 12 dioptries (x7) for an optimum zoom.

/LIGHTING

Economic and qualitative Lighting

MINI ZOOM is supplied with a 12W fluorescent circline diffusing cold lighting which is ideal to highlight the details. The electronic ballast integrated into the base significantly decreases the energetic consumption so that you save money in very little time.

/ERGONOMICS

A studied design

This compact technical lamp with soft and curved lines has an adjustable double articulated arm with a ball-joint at the head. It is very easy to handle. Switch on the base for easy access. Anti-dust valve integrated.



TECHNICAL FEATURES

● Dimensions



● Source

- 1 fluo circline
- 12W T4 G10Q (supplied)
- Lifetime: 8 000h
- 850 lumens
- 71 Lm/W
- 6400K

A

● Reference

100340264 White

● Functions

- Switch ON/OFF on the base
- Adjustable arm
- Head adjustable in all directions

● Materials

- ABS
- Glass lens

” *The most compact lamp adapted for precision work (compact lamp adapted to precision works such as sewing, maquettism, watchmaking, etc...).*



ZOOM

/PRECISION

For meticulous tasks

ZOOM is the magnifying lamp needed for any activities requiring high precision such as clock making, microelectronic, dermatology, dental prosthetics, manicure and all kind of meticulous tasks in the office or at home. Fitted with a 3-diopter lens (x1,75) without distortion on the sides. Other optional magnifications (4,5 and 8 dioptres).

/LIGHTING

Economic and qualitative Lighting

ZOOM is fitted with a very powerful 22W fluorescent circline diffusing white lighting which is ideal to bring out the details. Its integrated electronic ballast in the head significantly decreases the energetic consumption to save money in little time.

/ERGONOMICS

Smart design

This technical lamp has a spring balanced double articulated arm. The adjustable head makes it very easy to handle. Switch on the head to make it easy to access. Integrated anti-dust protection. Supplied with clamp. 6 other optional fixing devices.



TECHNICAL FEATURES

● Dimensions



● Source

- 1 fluo circline
- 22W G10Q (fitted)
- Lifetime: 8 000h
- 1800 lumens
- 82 Lm/W
- 6400K

A

● Reference

100340267 White

● Functions

- Switch ON/OFF on the head
- Double arm articulated and rotating
- Adjustable head

● Materials

- Steel with Epoxy finishing
- ABS
- Glass lens



” *Very handy lamp specifically conceived for precision tasks such as sewing, clock making, etc. Ideal at home or in the office.*

VARIAGLASS

/ LED LIGHTING

Economic and efficient

LED are today more efficient than energy saving bulbs around 100Lm/W, offer the lower consumption (22W vs 45W energy saving bulbs) and the longer lifetime (40 000h vs 10 000h for energy saving bulbs).

/ INNOVATIVE PRODUCT

Best meets your needs

This uplighter is fitted with a dimmer-switch on the post, very easy to use, allowing to adjust the lighting intensity as you wish: you adapt the quantity of light according to your needs, reducing your energy consumption.

/ GOOD LOOKING SHAPE

Elegance of a glass bowl

The frosted glass bowl diffuses a soft indirect lighting. Its heavy base ensures the stability of the product, even close to walkways.

Available in 2 colours: black and metal grey



TECHNICAL FEATURES

● Dimensions



● Source

- LED built-in 22W (cannot be replaced)
- Lifetime: 40 000h
- 2200 Lumens
- 100 Lm/W
- 3000K



● Reference

400090473 Metal grey

● Functions

- Dimmer on the mast

● Materials

- Steel, epoxy painted
- Frosted glass

” *A low consumption and powerfull uplighter
that will help you save money.*



UNILUX

VARIALUX

/ LED LIGHTING

Economic and efficient

LED are today more efficient than energy saving bulbs around 100Lm/W, offer the lower consumption (22W vs 45W energy saving bulbs) and the longer lifetime (40 000h vs 10 000h for energy saving bulbs).

/ INNOVATIVE PRODUCT

VARIALUX fits your needs

This uplighter is equipped with a dimmer on the post, enabling to dim the light intensity and to control the consumption.

/ GOOD LOOKING SHAPE

When beauty goes with efficiency

Its bowl enamelled inside ensures an optimal diffusion of the indirect lighting. Its ballasted base guarantees the stability of the whole, even near traffic areas.

Available in 2 versions: straight and articulated

Available in 2 colours: black and metal grey



TECHNICAL FEATURES

● Dimensions



● Source

- LED 22W
- Lifetime: 40 000h
- 2200 Lumens
- 100 Lm/W
- 3000K



● Reference

- 400090467 Black
- 400090468 Metal grey
- 400090469 Black articulated

● Functions

- Dimmer on the mast

● Materials

- Steel, epoxy coating
- Bowl with white enamelled inside



” *The economic uplighter that will light up your working area at a low cost .*



DELY

ECONOMIC LIGHTING

LED technology

DELY is equipped with a built-in LED unit developed by UNILUX : energy consumption of only 30W for an excellent indirect lighting of 3000 Lumens. No need to replace any consummables: the Led unit has a lifetime of 40 000 hours : time and money savings.

DIMMING OF LIGHT INTENSITY

Light adjustable in strength

DELY is equipped with a dimmer-switch located on the wire, easy to reach (by foot) enabling to dim the light intensity: consumption under control.
Bowl fitted with a reflector providing an optimal diffusion of the light.
Adjustable head: Direct the light as you like!

DESIGN

Sobriety of the lines

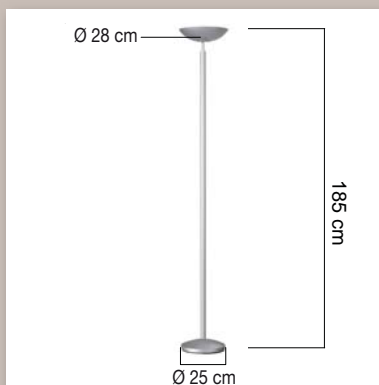
Its small base ensures the stability of the whole product, even when placed near passing areas. Very thin post giving the product a light and discreet look.

Available in 2 finitions: black and metal grey



TECHNICAL FEATURES

● Dimensions



● Source

- LED built-in 30W (cannot be replaced)
- Lifetime: 40 000h
- 3000 Lumens
- 130 Lm/W
- 3000K



● References

- 400050389 Black
- 400094197 Metal grey

● Functions

- Adjustable Bowl
- Foot dimmer

● Materials

- Steel, epoxy coating
- Reflector in recyclable aluminium



RoHS



” Uplighter of the latest generation at a very affordable price. Equipped with a dimmer of luminous flux.

DELY articulated

ECONOMIC LIGHTING

LED technology

DELY is equipped with a built-in LED unit developed by UNILUX : energy consumption of only 30W for an excellent indirect lighting of 3000 Lumens. No need to replace any consummables: the Led unit has a lifetime of 40 000 hours : time and money savings.

DIMMING OF LIGHT INTENSITY

Light adjustable in strength

DELY is equipped with a dimmer-switch located on the wire, easy to reach (by foot) enabling to dim the light intensity: consumption under control.
Bowl fitted with a reflector providing an optimal diffusion of the light.
Adjustable head: Direct the light as you like!

DESIGN

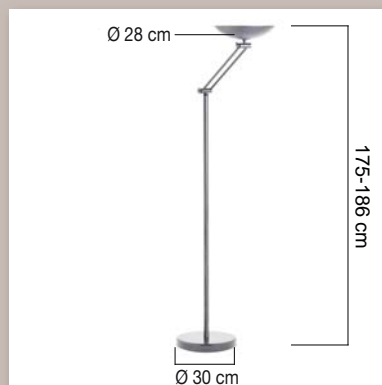
Sobriety of the lines

Its small base ensures the stability of the whole product, even when placed near passing areas. Very thin post giving the product a light and discreet look. The adjustable arm and bowl makes it possible to bring the light on top of the work surface.
Available in 2 colors: black and metal grey



TECHNICAL FEATURES

● Dimensions



● Source

- LED built-in 30W (cannot be replaced)
- Lifetime: 40 000h
- 3000 Lumens
- 130 Lm/W
- 3000K



● References

- 400070582 Black
- 400094198 Metal grey

● Functions

- Adjustable Bowl
- Foot dimmer

● Materials

- Steel, epoxy coating
- Reflector in recyclable aluminium

” Uplighter of the latest generation at a very affordable price. Equipped with a dimmer of luminous flux.



UNILUX

ZELUX

/ POWER

And low energy consumption

ZELUX is equipped with two LED modules , developed by UNILUX : they provide a powerful lighting of 2x2000 lumens for a consumption of only 40W. ZELUX is one of the most efficient uplighters of the market. Lifetime of the built-in modules : 40 000h

/ TAILOR-MADE

Direct and/or indirect lighting

A system of ball-joints enable adjustment of the LED modules separately and to direct the flux according to the users' needs. Each module can be turned entirely upwards in order to get a direct-indirect lighting, lighting recommended by the ergonomists. ZELUX is also equipped with an intensity dimming.

/ DESIGN

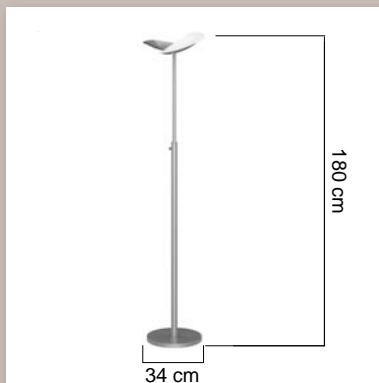
Original and contemporary

Its dynamics and harmonious lines give it a very modern look that immediately seduces. It will fit perfectly into any office.



TECHNICAL FEATURES

● Dimensions



● Source

- LED built-in 40W (cannot be replaced)
- Lifetime: 40 000h
- 2x2000 Lumens
- 100 Lm/W
- 3000K

A+

● Reference

400100711 Metal grey

● Functions

- Dimmer on the mast
- Separate modules that can be steered independently

● Materials

- Frosted glass
- Steel with Epoxy painting



RoHS

” *A LED uplighter efficient and adjustable:
Direct and/or direct-indirect lighting.*





CLOCKS



ARIA

/ QUARTZ SYSTEM

High precision

The mechanism of quartz clock, based on the phenomenon of piezoelectricity, is one of the most energy-efficient, for a reliability of a 1 second discrepancy over a 6 years running period.

/ HIGH VISIBILITY

Easy to read

With the large screen, ARIA is an ideal clock for individual offices or collective offices of small size. Its double large number display allows an easy reading from a distance up to 30 metres.

/ DESIGN

Sober look

With large arabic numbers and its second hand. Easy to fix on the wall.



TECHNICAL FEATURES

● Dimensions



Diameter 28.5 cm

● Energy

- 1 AA 1,5V (not supplied)
- Average consumption: 0,07 mA

● Materials

- Outline : plastic
- Cover: glass

● Reference

400094280 Metal grey



*Nice entry level clock with sober design.
Ideal for individual offices.*



p105

Clocks

UNILUX

POP

/QUARTZ SYSTEM

High precision

The mechanism of quartz clock, based on the phenomenon of piezoelectricity, is one of the most energy-efficient, for a reliability of a 1 second discrepancy over a 6 years running period.

/PRODUCT + POINTS

The hands move do not make any noise

Thanks to its silent system, the second hand of POP does not make any noise which creates an atmosphere particularly favourable to concentration and wellness.



READABLE UP TO 30 METERS!



TECHNICAL FEATURES

● Dimensions



Diameter 28.0 cm

● Energy

- 1 AA 1,5V (supplied)
- Average consumption: 0,20 mA



● Materials

- Outline: plastic
- Cover: glass

● References

- 400094281 Black
- 400094282 White
- 400094283 Metal grey



RoHS



Silent clock for meeting room or open space.

p107

Clocks



UNILUX

MAXI POP

/ SILENT MOTION & PRECISION

The hands move do not make any noise

Thanks to its silent system, the second hand of MAXI POP does not make any noise which creates an atmosphere particularly favourable to concentration and wellness.

Its quartz mechanism –piezoelectricity- is both reliable and economic.



/ LARGE SIZE

Easy to read

With its large diameter, MAXI POP can be read from far away:

It's the ideal clock for large spaces.

Available in 2 colors: black, metal grey

READABLE UP TO 150 METERS!



TECHNICAL FEATURES

● Dimensions



Diameter 37.5 cm

● Energy

- 1 AA 1,5V (supplied)
- Average consumption: 0,22 mA



● Materials

- Outline: plastic
- Cover: glass

● References

- 400094487 Black
- 400094488 Metal grey





Clocks for collective and executive spaces,



WAVE

/ SMART CLOCK

Radio-controlled technology

Forget approximately clocks: WAVE is automatically and permanently adjusted with radio waves from Mainflgen atomic clock. High precision: 1 second of difference maximum every 1 million years.

/ DESIGN

Easily readable

WAVE is 30,0 cm in diameter. The big Arabic numerals are easily readable wherever you are in the room. A protective glass avoids dust and yellowing due to sun exposure. Fitted with second hand. Available in two colours: black, metal grey and white.

READABLE UP TO 35 METERS



TECHNICAL FEATURES

● Dimensions



Diameter 30.0 cm

● Energy

- 1 AA 1,5V (supplied)
- Average consumption: 0,37 mA



● Materials

- Outline: plastic
- Cover: glass

● References

- 400094561 Black
- 400094563 White
- 400094562 Metal grey



RESTRICTIONS USE:

- does not work in buildings with metal structures
- does not operate on a high-frequency transmitter (for example PC)
- at a distance of 1500 km from the signal emitter and the topographical conditions

” *Excellent Quality/Price ratio.*

p111



UNILUX

MAXI WAVE

/ SMART CLOCK

Radio-controlled technology

Forget approximatively clocks: MAXI WAVE is automatically and permanently adjusted with radio waves from Mainflgen atomic clock. High precision: 1 second of difference maximum every 1 million years.

/ LARGE SIZE

Easy to read

With its large diameter, MAXI WAVE can be read from far away: It's the ideal clock for large spaces. Available in 2 colors: black and metal grey

READABLE UP TO 150 METERS!



TECHNICAL FEATURES

● Dimensions



Diameter 37,5 cm

● Energy

- 1 AA 1,5V (supplied)
- Average consumption: 0,22 mA



● Materials

- Outline: plastic
- Cover: glass

● References

- 400094564 Black
- 400094565 Metal grey



RESTRICTIONS USE:

- does not work in buildings with metal structures
- does not operate on a high-frequency transmitter (for example PC)
- at a distance of 1500 km from the signal emitter and the topographical conditions

” *Especially designed for team spaces
and management.*



ATTRACTION

/QUARTZ SYSTEM

High precision

The mechanism of quartz clock, based on the phenomenon of piezoelectricity, is one of the most energy-efficient, for a reliability of a 1 second discrepancy over a 6 years running period.

/MAGNETIC

Adheres to metal surfaces: 0 odd-jobs

Thanks to its power magnets, ATTRACTION requires no preliminary setup to be fixed on any metal surface.

/DESIGN

Unadorned and silent

Very classical style. Its small diameter (22cm) makes it a discreet and very appreciated accessory.

The second hand does not make any noise



READABLE UP TO 22 METERS

TECHNICAL FEATURES

● Dimensions



Diameter 22.0 cm

● Energy

- 1 AA 1,5V (supplied)
- Average consumption: 0,28 mA



● Materials

- Outline: plastic
- Cover: glass

● Reference

400094404 Metal grey

” *The nomadic clock, to be fixed
on cupboards, walls, etc.*



MAGNET

/QUARTZ SYSTEM

High precision

The mechanism of quartz clock, based on the phenomenon of piezoelectricity, is one of the most energy-efficient, for a reliability of a 1 second discrepancy over a 6 years running period.

/MAGNETIC

Adheres to metal surface: 0 do-it-yourself

With the strong magnets it is easy to fix it without previous installation onto any metallic surfaces.

/DESIGN

Corporate design

Conventional style: protection of the outlines in plastic, standard diameter (30,5 cm) and outlines with hours/minutes marked out with Arabic numerals so that it is easy to read.



READABLE UP TO 35 METERS

TECHNICAL FEATURES

● Dimensions



Diameter 30.5 cm

● Energy

- 1 AA 1,5V (not supplied)
- Average consumption: 0,29 mA

● Materials

- Outline: plastic
- Cover: glass

● Reference

400094406 Metal grey

” *The nomadic clock, to be fixed
on cupboards, walls, etc.*



INSTINCT

/ DST SYSTEM

High precision

INSTINCT clock mechanism enables automatic winter and summer time changes. No need to take off the clock to do it manually, INSTINCT is automatically adjusted on time. Equipped with high precision quartz movement.

/ HIGH VISIBILITY

Appreciated option

With the diameter of 30,5cm, INSTINCT is very easy to read. A numeric dater is incrusted in the outline and indicates as follows: day/date, date/month or hour/minutes.

/ DESIGN

Sober and slender

With dynamic design and the big Arabic numerals, INSTINCT fits any workplace. Equipped with a second hand.



TECHNICAL FEATURES

● Dimensions



Diameter 30.5 cm

● Energy

- 1 AA 1,5V (not supplied)
- Average consumption: 0,14 mA

● Materials

- Outline: plastic
- Cover: glass

● Reference

100340853 Metal grey

” *Automatic settings during
hour changes = less maintenance*



TEMPUS

/WEATHER FUNCTION

High precision

TEMPUS display is equipped with a digital thermometer display in Celsius degree C° which enables you to know the temperature of your work environment in real time.

/DESIGN

Classical and high tech design

TEMPUS is the archetype of a classical clock: the sober shapes and grey display makes it possible to fit any place from classical to contemporary areas.

READABLE UP TO 35 METERS



TECHNICAL FEATURES

● Dimensions



● Energy

- 1 AA 1,5V (supplied)
- Average consumption: 0,21 mA



● Materials

- Outline : plastic
- Cover: glass

● Reference

400094592 Metal grey

” Multifunction wall clock Perfect
in work place.



p121

Clocks

UNILUX

ON TIME

/ QUARTZ SYSTEM

High precision

The mechanism of quartz clock, based on the phenomenon of piezoelectricity, is one of the most energy-efficient, for a reliability of a 1 second discrepancy over a 6 years running period.

/ PRODUCT + POINTS

Be on time all over the world

ON TIME allows to choose 4 different time zones to be reactive everywhere worldwide.

For example: Paris, London, Tokyo and New York

/ DESIGN

Modern look

Very contemporary look, with its white numbers on a black background:

Visual contrast favourable to reading.



TECHNICAL FEATURES

● Dimensions



Diameter 30.5 cm

● Energy

- 4 AA 1,5V (supplied)
- Average consumption: 0,21 mA



● Materials

- Outline: plastic
- Cover: glass

● Reference

400094567

” Perfect for open space and
receptions.



p123

Clocks

UNILUX

OUTDOOR

SMART CLOCK

Radio-controlled technology

Forget approximately clocks: OUTDOOR is automatically and permanently adjusted with radio waves from Mainflgen atomic clock. High precision: 1 second of difference maximum every 1 million years.

PRODUCT + POINTS

Waterproof and silent

With its large diameter, OUTDOOR can be read from far away: It's the ideal clock for large inside and outside space (even raining, waterproof function). And more the silent movement increase the concentration at the office.



READABLE UP TO 100 METERS!



TECHNICAL FEATURES

● Dimensions



Diameter 35.5 cm

● Energy

- 1 AA 1,5V (supplied)
- Average consumption: 0,22 mA



● Materials

- Outline: metal
- Cover: glass

● Reference

400094566 Metal grey

” Suitable for indoor and outdoor.



p125

Clocks

UNILUX

MOON

/QUARTZ SYSTEM

High precision

The mechanism of quartz clock, based on the phenomenon of piezoelectricity, is one of the most energy-efficient, for a reliability of a 1 second discrepancy over a 6 years running period.

/DESIGN

High tech trend

The big Arabic numerals and the white backlight system of MOON are easily readable wherever you are in the room. And more MOON is a staunch resistant product with nice finishes (stainless steel) for a good price.

READABLE UP TO 100 METERS!



TECHNICAL FEATURES

● Dimensions



Diameter 35.5 cm

● Energy

- Driver on the plug
- 1 AA 1,5V (not supplied)
- Average consumption: 0,22 mA

● Materials

- Outline: aluminium
- Cover: glass

● Reference

400094569 Metal grey

” *High tech trend with the backlight.*



p127

Clocks

UNILUX

BALTIC

/ ECO-FRIENDLY PRODUCT

Mixing of materials

Design is very contemporary, its wooden structure preserves it from rust and bumps in case of fall. Its design contributes to preserve the natural resources for the future generations. Eco-responsible approach !

/ QUARTZ SYSTEM

High precision

The mechanism of quartz clock, based on the phenomenon of piezoelectricity, is one of the most energy-efficient, for a reliability of a 1 second discrepancy over a 6 years running period.

/ PRODUCT + POINTS

The hands move do not make any noise

Thanks to its silent system, the second hand of POP does not make any noise which creates an atmosphere particularly favourable to concentration and wellness.



READABLE UP TO 30 METERS



TECHNICAL FEATURES

● Dimensions



Diameter 30.5 cm

● Source

- 1 AA 1,5V (supplied)
- Average consumption: 0,21 mA



● Materials

- Outline: wood
- cover: plastic

● Reference

400094591



RoHS

” *Modern alliance of wood and plastic.*



p129

Clocks

UNILUX

MEGA

/ LARGE SIZE

Easy to read

With its 57,5 cm diameter, MEGA can be read from far away :

It's the ideal clock for large spaces. It can also decorate a naked wall with style.

/ DESIGN

A well thought large clock

Very contemporary look, with its white numbers on a black background and its red clock hands: visual contrast favourable to reading.

READABLE UP TO 180 METERS!



TECHNICAL FEATURES

● Dimensions



Diameter 57.5 cm

● Energy

- 1 AA 1,5V (supplied)
- Average consumption: 0,21 mA



● Materials

- Outline: plastic
- Cover: glass

● Reference

400094568



” Fits large spaces perfectly:
open-spaces, warehouses,
meeting rooms ...



p131

Clocks

UNILUX

A decorative diagonal line starting from the top left and extending towards the right, with a color gradient from red to orange.

RECEPTION

Coat stands and coat pegs



ACCESS

/ FUNCTIONAL

Robust for a first price

ACCESS coat stand is made of a 175 cm-mild steel post. It is equipped with 6 offset rounded coat pegs to facilitate the hanging.

ACCESS is an essential and sober accessory which integrated easily in all the work place and receptions.

/ DESIGN

Protected clothing

The rounded coat pegs reassure. They have been designed to avoid misshaping the clothes. The coat pegs are reinforced and made in united cast in one piece.

/ THE ADVANTAGES

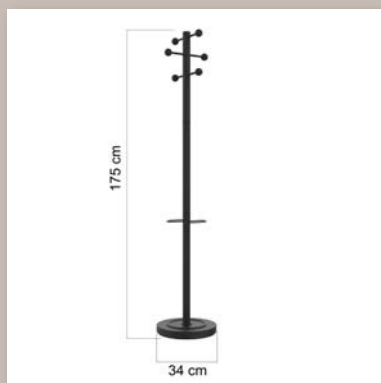
The must have

ACCESS can be quickly and easy assembly in 4 MINS using any tool.



TECHNICAL FEATURES

● Dimensions



● Functions

- 6 coat-pegs
- Umbrella stand

● Materials

- Post: metal Epoxy painting
- Coat hook: plastic
- Coat pegs: metal Epoxy painting
- Umbrella stand and PP: metal Epoxy painting

● References

400095391 Black

” *First price for essential functions.*



p135

Coat stands

UNILUX

BOUQUET

/ FUNCTIONAL

Optimal storage capacity

BOUQUET coat stand is equipped with 6 coat pegs positioned on alternating gridlines on a 3.5 cm mast made of high quality steel: clothes do not overlap. Weighed base of 4 kg ensures steadiness of the structure and makes it possible for the BOUQUET to be placed in an open space without any danger.

/ DESIGN

Protective coat pegs

BOUQUET wooden coat pegs have a rounded shape and preserve the integrity of the clothes they support.

/ PRODUCT'S ADVANTAGE

UNILUX touch

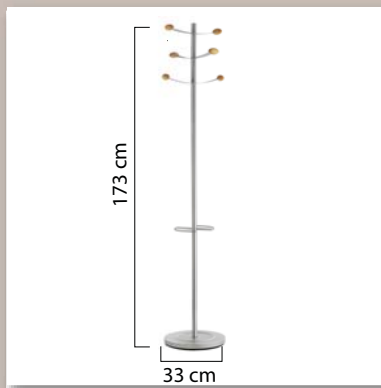
BOUQUET is equipped with a steel umbrella stand. Capacity: 8 umbrellas + drip tray.



QUICK ASSEMBLY IN 4 MINS

TECHNICAL FEATURES

● Dimensions



● Functions

- 6 coat-pegs
- Umbrella stand

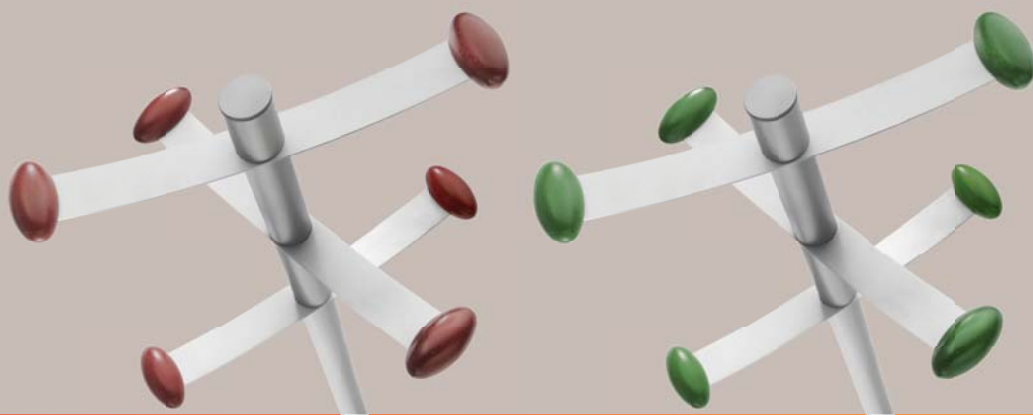
● Materials

- Mast: steel and epoxy painting
- Steel coat pegs and genuine wood

● References

- 400069048 Met. grey wood
- 400079772 Met. grey red
- 400079775 Met. grey green

” *A classical and robust and will fit any offices*



ACCUEIL

FUNCTIONAL

Robust and practical product

ACCUEIL coat stand is made of a 175 cm-mild steel post. It is equipped with 8 offset rounded coat pegs to facilitate the hanging. The revolving head enables you to put it in the angle of an office or against a wall whilst ensuring the access to the clothing.

DESIGN

Protectd clothing

The rounded coat pegs reassure and give the ACCUEIL coat stand this very familiar look which makes it successful. They are equipped with anti-skid edges and have been designed to avoid misshaping the clothes. The coat pegs are reinforced and made in united cast in one piece.

THE ADVANTAGES

The must have

ACCUEIL is equipped with an umbrella stand.

Capacity: 9 umbrellas and a drip tray.

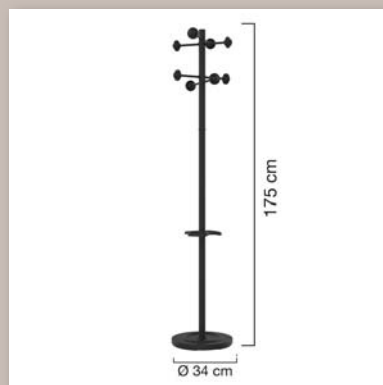
A 6kg- weighed base ensures the steadiness of the product.



QUICK ASSEMBLY IN 4 MINS

TECHNICAL FEATURES

● Dimensions



● Functions

- Revolving head
- 8 coat-pegs
- Umbrella stand

● Materials

- Post: Epoxy painting steel post
- Coat pegs: nylon, ABS and polypropylene
- Umbrella stand and drip tray in polypropylene

● References

100340694 Black

” *Perfect for communities and open-space offices.*



CYPRES

/ FUNCTIONAL

High storage capacity

CYPRES coatstand is equipped with 8 triple coat pegs on a high quality steel arm: the maximum storage capacity is 24 clothing. The rotating head enables to put this coat stand in the angle of an office or against a wall whilst facilitating the access to the coats.

/ DESIGN

Protective and design coat pegs

CYPRES's triple coat pegs have been created to preserve the integrity of the clothing. Made of recyclable aluminium, they contribute to the innovative design of the product with their dynamic and pure lines.

/ THE ADVANTAGES

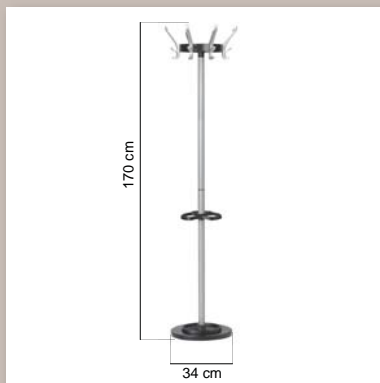
UNILUX touch

CYPRES is equipped with a height adjustable umbrella stand. Capacity: 6 umbrellas. Large drip tray. 6 kg-weighted base to ensure the steadiness of the structure.



TECHNICAL FEATURES

● Dimensions



● Functions

- 24 coat-pegs
- Revolving head
- Umbrella stand

● Materials

- Black or metal grey epoxy coated steel
- Umbrella stand and drip tray: polypropylene
- Recyclable aluminum coat pegs

● References

- 100340640 Metal grey



RoHS



” *High welcoming capacity and contemporary design. High quality finish.*

RANGE FOCUS: Magnetic coat peg



RANGE FOCUS: Coat pegs with screws fixing



STEELY Magnetic

/ FUNCTIONAL

Easy to install

STEELY Magnetic coat peg can be put on any metallic surface such as walls or wardrobe. It does not require any drilling so you can move it whenever you want to. Made in France in a 4mm-thick metal.

/ DESIGN

Protective coat pegs

STEELY Magnetic coat peg is equipped with a plastic rounded cap so that it respects the clothes. Made in rubber and there also are non skid rubber pads.

/ ADVANTAGE

Powerful magnet

The very powerful magnet makes it possible to support up to 12 kg without falling down or slipping.



Made in France

TECHNICAL FEATURES

● Dimensions



● Functions

- 12 Kg

● Materials

- PVC cap
- Steel

● Reference

100340733 Black
100340734 Metal grey



Magnetic coat peg can be put on any metallic surfaces. Can support up to 12 kg



STEELY

/ FUNCTIONAL

High load capacity

STEELY coat peg is very robust. Made of steel (4mm thickness) enabling them to support up to 50kg.

/ DESIGN

Protective double coat pegs

Thanks to its double grip, STEELY can support two clothing at the same time. It is endowed with non skid and protective pads to avoid the clothes from slipping and be misshapened.

Aesthetic shape made in France. Available in black, metal grey, white, lilac and green.

/ ADVANTAGE

STEELY coat peg is provided with its fixing kit with screws and wall-plugs for every surface. Support up to 50 kg.



TECHNICAL FEATURES

● Dimensions



● Functions

- 50 Kg

● Materials

- PVC cap
- Steel

● References

100340731 Black
100340732 Metal grey

” *STEELY can support up to 50kg
Made in France.*



CYPRES Magnetic

/ FUNCTIONAL

Easily to install

Magnetic coat-peg adhering to any kind of metallic surface.
Very powerful magnet, can support a weight up to 12 kg.

/ ADVANTAGE PRODUCT

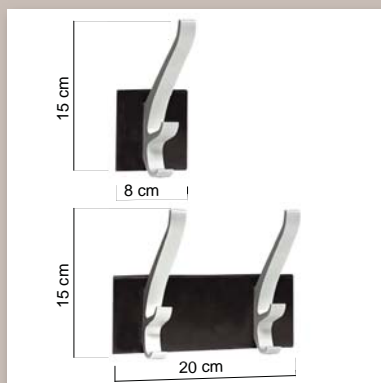
Quality finish

Magnet covered by an anti-skid covering protective the metallic support.



TECHNICAL FEATURES

● Dimensions



● Functions

- Triple hanging point
- Magnetic fixing

● Materials

- Aluminium coat-peg
- Steel frame black epoxy paint finish
- Ferromagnetic magnet

● References

- 100340802 1 coat peg
- 100340803 2 coat pegs

CYPRES Coat pegs

/ FUNCTIONAL

Serious reception capacity

Design aluminium coat-pegs with triple hanging point.
Both robust and aesthetic, the CYPRES coat-pegs perfectly hold your garments.



/ ADVANTAGE PRODUCT

Quality finish

Exits in multiple rail version : 2 or 4 coat-pegs.

TECHNICAL FEATURES

● Dimensions

- 2 coat pegs : H 15 x L 20 x D 9 cm
- 4 coat pegs : H 15 x L 45 x D 9 cm

● Functions

- Triple hanging point
- Fixing by screws

● Materials

- Aluminium coat-peg
- Steel frame black epoxy paint finish

● References

- 100340804 2 coat pegs
- 100340805 4 coat pegs

FOLDY

/ FUNCTIONAL

Optimize space !

The folding garment-rack FOLDY spreads out very easily in a few minutes for an immediate use. Its folding system enables it to be stored in a small place : Once folded up, that garment-rack occupies only 10x49cm on the ground, and can be put away in a cupboard, technical premises or discreetly against a wall.

/ DESIGN

Fine lines

Composed of steel tubes of \varnothing 2.5 cm (\varnothing 1.25 cm for the upper bar), this strong garment-rack with a light look is able to support up to 40 classic or anti-theft coat-hangers. FOLDY is equipped with swivelling casters enabling it to be moved by hand easily.

/ PRODUCT BENEFIT

Delivered assembled

FOLDY is delivered already assembled for an immediate use, in a protecting carton box of XXX cm height optimizing the palletization and the warehousing. No long and boring assembly operations.



TECHNICAL FEATURES

● Dimensions



● Functions

- Mounted on rotating wheels
- Really easy to fold/unfold
- Maxi load 40 coat hangers

● Materials

- ABS
- Epoxy coated steel

● Reference

400050665 Metal grey



” Occasional garment rack,
Easy to fold/unfold to optimize
its storage.

Coat-hangers: KLASSIK
Ref: 100340719



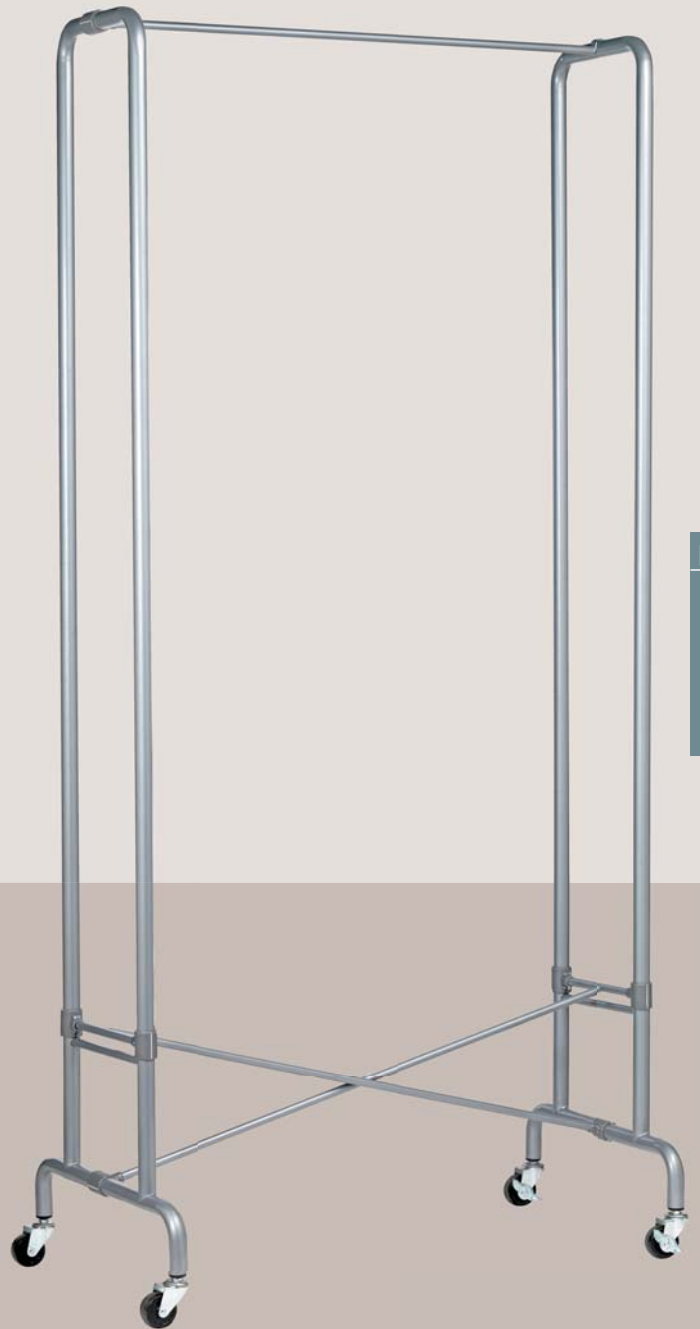
Coat-hangers: VESTA
Ref: 100340725



Coat-hangers: LOCKY
Ref: 100340718



Coat-hangers: WOODY
Ref: 100340720



MEETING

/ FUNCTIONAL

High storage capacity

MEETING garment rack is equipped with a transversal bar of Ø2,5cm and 150cm length that can support up to 70 Classical or Locky coat-hangers. With the four roller casters among which two are equipped with brakes, this garment rack can be displaced effortlessly from the storage area to the reception hall, a meeting room or a welcoming hall.

/ DESIGN

Modern design

MEETING is seducing with the thin and very modern lines. It is made of high quality steel and the chromed bar ensures an easy slide along the bar for the coat hangers. Long lifetime.

/ THE ADVANTAGES

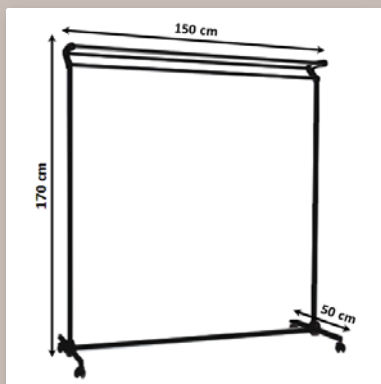
Upper rack

MEETING is equipped with a solid upper rack made of steel where you can put attaché-cases, helmets and other accessories. Delivered in kit, it is very quick to mount: no need to get any tools or to be a do-it-yourselfer!



TECHNICAL FEATURES

● Dimensions



● Functions

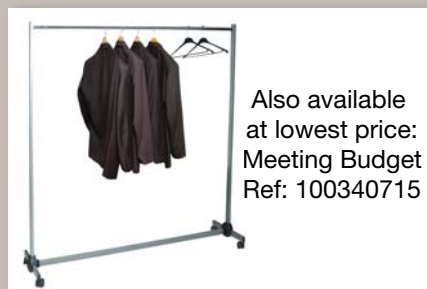
- Mounted on rotating wheels
- Convenient lower rack
- Maxi load: 70 coat hangers

● Materials

- ABS
- Steel
- Recyclable aluminium

● Reference

100340714 Metal grey



Also available
at lowest price:
Meeting Budget
Ref: 100340715

” *A solid garment rack for punctual events or to use everyday.*

Coat-hangers: KLASSIK
Ref: 100340719



Coat-hangers: VESTA
Ref: 100340725



Coat-hangers: LOCKY
Ref: 100340718



Coat-hangers: WOODY
Ref: 100340720





FOOTRESTS



p153

Foot rests

UNILUX

UPDOWN

HEALTH BENEFITS

Intuitive and ergonomic

There are more and more height adjustable desks on the market (40% of the market share) and more Occupational medical recommends posture change every 30MINS for a good well being at the office. This is the reason why UNILUX decided to create a new generation of foot rest. UPDOWN can be used:

- in sitting in standing position
- improves circulation and reduces fatigue
- exercise dynamics during your lunch break

DESIGN

Dynamic lines

With the dynamic and modern design, UPDOWN create a design rupture in the Foot rest family. In addition the foot rest is light and easily transportable everywhere (breakroom, reception, desk,...) thanks to its ergonomic handle.

PRODUCT + POINTS

Anti-slip silicon design

UPDOWN is equipped at the bottom of both sides with 2 silicone mat feet, that increase the friction, for a solid non-slip.



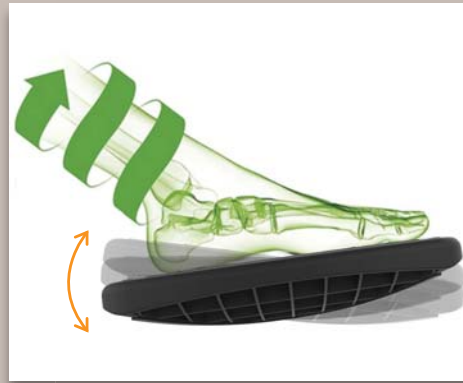
WELL-SUITED FOR HEIGHT
ADJUSTABLE DESK

TECHNICAL FEATURES

● Dimensions



● Medical benefits



● Materials

- PP
- Silicon

● Reference

400095456

Made in France

” *The new generation of footrest.*



p155

Footrests

UNILUX

CHRYSSALIS

/FUNCTIONAL

Non skid surface. The platform tilt can be adjusted to any desired angle which enables optimal support for the user's legs.

The EU directive 90/270/EEC recommends for VDU workstation that "a foot rest shall be made available to any operator or user who wishes one".

Ergonomic concept developed in association with the Industrial Medicine.

Made in France



TECHNICAL FEATURES

● Adjustable



● Dimensions

W 42 x D 32 cm

● Materials

- ABS
- PVC

● Reference

100340820



RoHS

NYMPHEA

ERGONOMICS

The use of a footrest avoids muscle strain cramp and fatigue of the legs. It improves your posture and circulation by keeping feet and legs elevated. The EU directive 90/270/EEC recommends for VDU workstation that " afoot rest shall be made available to any operator or user who wishes one".

Ergonomic concept developed in association with the Industrial Medicine.

Made in France



TECHNICAL FEATURES

- Adjustable



Adjustable in height from 8 to 20 cm
Adjustable tilt 0° to 20°

- Dimensions
W 42 x D 32 cm

- Materials
- ABS
- PVC

- Reference
100340822

p157

Footrests

CE  RoHS

UNILUX

ORIGIN

/ ERGONOMICS

The use of a footrest avoids muscle strain cramps and fatigue of the lower limb.
Top surface made of half PVC spheres that exercise a real relaxing massage.

/ FUNCTIONAL

Height (9 to 13,5 cm) and tilt adjustable (10°, 15°, 20°), it enables an individual setting according the user's morphology.

/ ECO-FRIENDLY

made of ABS recyclable



Made in France

TECHNICAL FEATURES

- Adjustable



Adjustable tilt 10°, 15° and 20°

- Dimensions
W 49.5 x D 36.5 cm

- Materials
- ABS recyclable

- Reference
100340819



RoHS

CONFORT MASSANT

ERGONOMICS

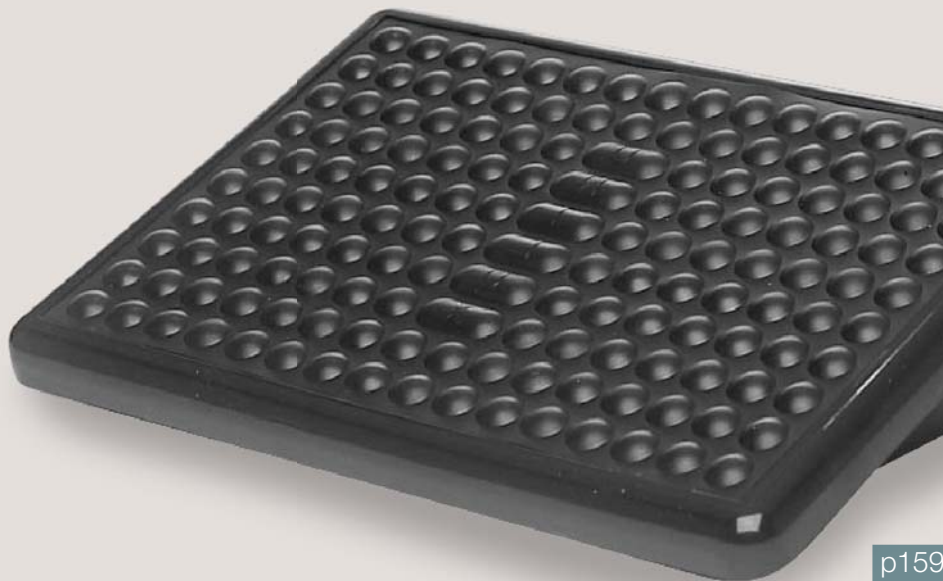
The use of a footrests avoids muscle strain cramps and fatigue from the lower limb.

Top surface made of half PVC spheres which exercise a real relaxing massage. It improves your posture and circulation by keeping feet and legs elevated.

ADVANTAGE PRODUCT

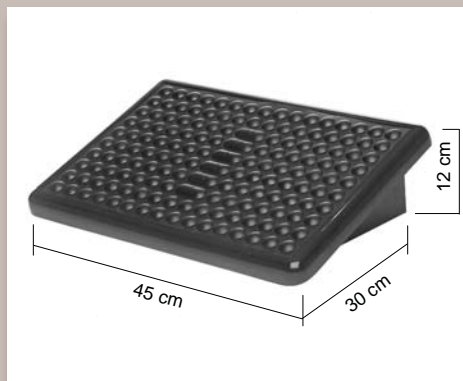
Anti-allergic, nonskid and removable, it is maintained by clips to facilitate its maintenance.

Made in France



TECHNICAL FEATURES

● Dimensions



● Materials

- ABS
- Nonskid PVC

● Reference

100340817

p159

Footrests

CHOCOLATE

/ ERGONOMICS

The use of a footrest avoids muscle strain cramp and fatigue of the legs. It improves your posture and circulation by keeping feet and legs elevated. Ergonomic concept developed in association with the Industrial Medicine

/ FUNCTIONAL

CHOCOLATE can be adjusted in height from 10 to 16 cm and inclination from 0° to 25°.



Made in France

TECHNICAL FEATURES

● Adjustable



Adjustable tilt
0° to 25°

In height
10 to 16 cm

● Materials

- PP
- PVC

● Reference

1000340816

” *An ergonomic footrest.*



p161

Footrests

CE  RoHS

A thin diagonal line starting from the left edge of the page, colored with a gradient from red at the bottom to orange at the top.

DESK ACCESSORIES



STUDY

/ DESIGN

Sleek modern

STUDY is a simple, design and elegant desk accessory. After a long day of work, simply slide your keyboard into the designated space below the shelf and store your office miscellany - keys, pens on the top.

You can be also used for laptop stand, for better heat dissipation.

/ ERGONOMIC

Health nenefits

STUDY adjusts elevation of your screen positively influences proper posture to reduce:

- fatigue
- back pain
- cervical tensions

/ USB PORT

Product benefits

STUDY is equipped with 4 USB ports to charge smartphones, tablets or speakers.

USB cable not included.



WELL BEING AT THE OFFICE

TECHNICAL FEATURES

● Dimensions



● Ergonomic benefits



● Materials

- ABS
- Metal
- Aluminium Alloy

● Reference

400095491



RoHS

” *Elegantly-designed desk accessory to use everyday.*



Compatible with
smartphones, tablets, USB lamps and speakers
i Mac, iPad/2/3/4/Air, iPhone4/4S, iPhone5/5S,
iPhone6/6S/plus, iPod touch, iPod nano

p165
Desk
accessories

UNILUX

LOLA

/ BLUETOOTH FUNCTION

Efficient and smart

LOLA is equipped with efficient speakers 3W+3W for high quality sound. With bluetooth and handfree functions, LOLA is perfect for SKYPE meetings in your desk or conference room(microphone around 1 meter), or for listening music.

/ DESIGN

Sober lines

Contemporary and compact design, it can perfectly be integrated on any desk surfaces.

Play time: 5 hours

Charging time: 2 hours

Bluetooth distance: 10m

/ USB PORT

Product + points

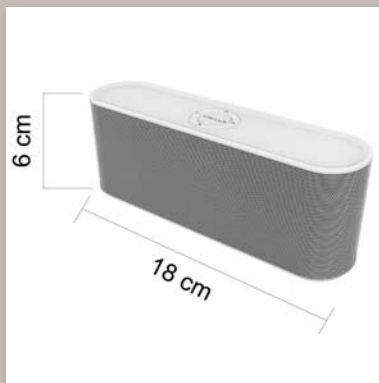
LOLA is equipped with an USB port for charging smartphones or tablets.

Available in 1 colour: White



TECHNICAL FEATURES

● Dimensions



● Functions

- Bluetooth speaker
- USB port
- Play time : 5 hours
- Charging time : 2 hours
- Rated power : 3W+ 3W
- S/N : 80db

● Materials

- ABS plastic

● Reference

400095448 White

” Perfect for SKYPE meetings
and conf call.



p167

Desk
accessories

UNILUX

LALY

/ BLUETOOTH FUNCTION

Efficient and smart

LALY is equipped with efficient speakers 3W+3W for high quality sound. With bluetooth and handfree functions, LALY is perfect for SKYPE meetings in your desk or conference room (microphone around 1 meter).
Or for listening music

/ DESIGN

Sober lines

Contemporary and compact design, it can perfectly be integrated on any desk surfaces.
Bluetooth distance: 10m
Available in 1 colour: Black

/ WIRELESS CHARGER

Product benefit

LALY is equipped with Wireless phone charger (compatible with all smartphones*)

* If your smartphone isn't fitted with a wireless charging option, simply add a charging case.



TECHNICAL FEATURES

● Dimensions



● Functions

- Bluetooth speaker
- Wireless charger
- Play time : 3-4 hours
- Charging time : 4-5 hours
- Rated power : 3W+ 3W
- S/N : 80db
- clock

● Materials

- ABS

● Reference

400095693

” Perfect for SKYPE meetings
and conf call.



p169

Desk
accessories

UNI LUX

R'PURE

/IONISER SYSTEM

Efficient and silent

The indoor air in your office houses potentially harmful particles: Pollution, dust, germs, moisture, pollen, etc: are invisible but are known to aggravate allergies, spread viruses and create odors. The UNILUX air purifier with its electrically charge ionization system (more efficient than a traditional system HEPA filter + fan) eliminates 99.9% of harmful air particles so you can enjoy clean air and a healthy workplace.

/ERGONOMIC

Health benefits

Carbon dioxide (CO₂) is a component of the earth's atmosphere. Although carbon dioxide is invisible and odorless, an increased CO₂(>1000ppm CO₂ concentration guide) content in the indoor air contributes fatigue, reduces concentration and increase the risk of absenteeism.

In order to minimize these negative impacts on your body, it is recommended to use the R'PURE air purifier which is suitable for a individual space.



TECHNICAL FEATURES

● Dimensions



● Functions

- Ionizer system
- ON/OFF
- S/N: <50db
- Area surface 15m²

● Materials

- ABS

● Reference

400095490

” Clean Air, Healthy Workspace.



Bacteria on the wheel and button

Dust and on the outlet of the air conditioner

Residual Smoke

Formaldehyde and Benzene released from the cushion or other interior

Fumes

Gas from the engine

PM2,5 Purification Rated 99%:
Smoke Purification Rated 99%

p171

Desk accessories

UNILUX

To sum up:





LAMPS	Colours	SAP no.	Power (Watts)	Lumen	Lm/W*	Source's lifetime	Colour T°	CRI	Warranty	Energy class	EAN code	Page
SOL	Black	400077402	4	500	100	20000 h	3000 K	> 80	2 years	A+	3595560012794	p 39
	White	400077404									3595560012800	
	Red	400077406									3595560012824	
	Blue	400077405									3595560012817	
FLEXIO 2.0	Black	400093687	5W E14	400	90	50000 h	3000 K	> 80	2 years	A+	3595560014750	p 41
	Metal grey	400093692									3595560014781	
	Blue	400093695									3595560015392	
	Green	400093694									3595560014941	
LUCY	Black	400093640	5	500	100	50000 h	3200 K 4500 K 5200 K	> 80	2 years	A+	3595560014705	p 37
	White	400093614									3595560014675	
SUCCESS 66	Black	400093600	WITHOUT BULB						2 years		3595560016485	p 43
	White	400093578	WITHOUT BULB								3595560016570	
SUCCESS 80	Black	400093579	WITHOUT BULB						2 years		3595560016485	p 45
	White	400093610	WITHOUT BULB								3595560016570	
SUCCESS 105	Black	400093996	11	1000	90	30000 h	3000 K	> 80	2 years	A+	3595560012855	on website
TERRA	Metal grey	400077409	5	500	100	40000 h	3500 K	> 80	2 years	A+	3595560012855	p 47
RUMBALED	Black	400093720	4	380	100	50000 h	4000 K	> 80	2 years	A+	3595560015443	p 49
MAMBOLED	Black	400033683	5,6	460	109	40000 h	3050 K	> 80	2 years	A+	3595560005796	p 51
	Metal grey	400033684									3595560005802	
JACK	Black	400077430	6	600	100	20000 h	2900 K 3500 K 4000 K	> 80	2 years	A+	3595560012862	p 35
ROMY	White	400077408	11	1000	100	20000 h	3050 K	> 80	2 years	A+	3595560012848	p 55
	Chrome	400077407									3595560012831	
EASY	Black	400093833	5	500	100	50000 h	3500 K	> 80	2 years	A+	3595560015580	p 53
	White	400093834									3595560015634	
URBAN 2.0	Black	400093963	8	700	100	50000 h	3500 K	> 80	2 years	A+	3595560017782	p 59
	White	400093964									3595560018413	
CRISTAL	Metal grey	400064642	2x5	900	90	50000 h	3000 K	> 80	2 years	A+	3595560011551	p 57
JOKERLED 2.0	Black	400064432	6	650	108	40000 h	2900 K	92	2 years	A++	3595560011353	p 61
	Metal grey	400064434									3595560011377	
	White	400064437									3595560011407	
	Lilac	400064436									3595560011384	
	Green	400064435									3595560011391	
	Blue	400064438									3595560011377	
SWINGO	Black	400093838	8	700	100	50000 h	3000 K	> 80	2 years	A+	3595560016485	p 63
	White	400093839									3595560016570	
TERTIO 2.0	Black	400093969	8	700	100	50000 h	3500 K	> 80	2 years	A+	3595560019151	p 69
ULVA	Metal grey/ black	400012753	8	400	93	20000 h	4900 K	> 80	2 years	A+	3595560000128	on website
NAO	Black	100340400	4	360	100	40000 h	3100 K	> 80	2 years	A+	3595560015566	on website
SPHERE	Black	100340451	6	650	108	40000 h	2900 K	> 80	2 years	A+	3595560014842	on website
DOMINO	Black/ cherry	100340184	35	900	26	4000 h	2900 K	> 80	2 years	B	3595560002689	on website
JOKER	Black	100340174	35	900	26	4000 h	2900 K	> 80	2 years	B	3595560002672	on website
	Metal grey	100340176									3595560004799	on website

new 2018

new 2018

new 2018

To sum up:




LAMPS	Colours	SAP no.	Power (Watts)	Lumen	Lm/W*	Source's lifetime	Colour T°	CRI	Warranty	Energy class	EAN code	Page
JAZZ	Metal grey	400093836	11	1000	90	50000 h	3000 K 4000 K 5000 K	> 80	2 years	A+	3595560016327	p 33 
SUCCESS 80 LED	Chrome	400092123	11	1000	90	30000 h	3000 K	> 80	2 years	A+	3595560011568	p 67
DISC	Metal grey/black	100340421	5.5	590	90	40000 h	2900 K	> 80	2 years	A++	3595560014859	p 65
ILLUSIO	Black	400036264	6.5	602	93	40000 h	3100 K	> 80	2 years	A+	3595560006519	p 71
BRIO 2.0	Black	400093669	8	700	100	50000 h	3500 K	> 80	2 years	A+	3595560014736	p 73 
EOLE	Black	400095733	8	700	100	50000 h	3500 K	> 80	2 years	A+	3595560026531	p 75
FOLIA	Black	400020346	5.6	520	93	40000 h	3000 K	> 80	2 years	A+	3595560002856	p 77
	Metal grey/white	100340438									3595560016174	
ODY	Metal grey	400095777	8	800	100	50000 h	3500 K	> 80	2 years	A+	3595560026555	p 79 
ERGOLIGHT	Black	100340991	5,6	520	93	40000 h	3000 K	> 80	2 years	A+	3595560021062	p 81
SENZA 2	Metal grey	400092054	5	500	100	50000 h	3000 K to 6500K	> 80	2 years	A+	3595560014286	p 31
SENSATION	Black	100340449	4.3	420	98	40000 h	3000 K	> 80	2 years	A+	3595560015573	p 83
MAGIC	Black	400016681	5.6	520	93	40000 h	3000 K	> 80	2 years	A+	3595560002238	p 85
i-LIGHT	Black	400093835	5	400	100	50000 h	2700 K to 5000 K	> 80	2 years	A+	3595560015672	p 29 
	Metal grey	400095547									3595560026005	
DUO	Black	400093984	2x5	500	100	50000 h	3500 K	> 80	2 years	A+	3595560020874	p 87
MINI ZOOM	White	100340264	12	850	71	8000 h	6400 K	> 80	2 years	A	3595560008315	p 89
ZOOM	White	100340267	22	1800	82	8000 h	6400 K	> 80	2 years	A	3595560006861	p 91

UPLIGHTERS	Colours	SAP no.	Power (Watts)	Lumen	Lm/W*	Source's lifetime	Colour T°	CRI	Warranty	Energy class	EAN code	Page
VARIAGLASS	Metal grey	400090473	22	2200	100	40000 h	3000 K	> 80	2 years	A+	3595560014095	p 93
VARIALUX	Black	400090467	22	2200	100	40000 h	3000 K	> 80	2 years	A+	3595560014040	p 95
	Metal grey	400090468									3595560014057	
	Black articulated	400090469									3595560014064	
DELY	Black	400050389	30	3000	130	40000 h	3000 K	> 80	2 years	A+	3595560008612	p 97
	Metal grey	400094197									3595560021154	
DELY articulated	Black	400070582	30	3000	130	40000 h	3000 K	> 80	2 years	A+	3595560010905	p 99
	Metal grey	400094198									3595560021529	
ZELUX	Metal grey	400100711	40	3800	130	40000 h	3000 K	> 80	2 years	A+	3595560027002	p 101 
FIRST	Black	100340557	230	5060	22	2000 h	2900 K	> 80	2 years	C	3595560007240	on website
	Metal grey	100340559	230	5060	22	2000 h	2900 K	> 80	2 years	C	3595560006595	on website
FIRST articulated	Black	100340570	230	5060	22	2000 h	2900 K	> 80	2 years	C	3595560003426	on website
CRISTALIA	Black	100340573	230	5060	22	2000 h	2900 K	> 80	2 years	C	3595560006601	on website
EVIDENCE	Metal grey	400064641	2x55	2x4800	87	10000 h	3000 K	> 80	2 years	A+	3595560011544	on website

To sum up:

CLOCKS	Colours	SAP no.	Second hand	Other Functions	Readability distance	Warranty	EAN code	Page
ARIA	Metal grey	400094280	No	Quartz system	25 m	2 years	3595560022366	p 105
WAVE	Black	400094561	Yes	Radio-control technology	35 m	2 years	3595560024186	p 111
	White	400094563					3595560024711	
	Metal grey	400094562					3595560024445	
		400094564					3595560024919	
new 2018 MAXI WAVE	Metal grey	400094565	Yes	Radio-control technology	150 m	2 years	3595560024940	p 113
new 2018 OUTDOOR	Metal grey	400094566	Yes	Silent clock Radio-control technology Waterproof	100 m	2 years	3595560025053	p 125
new 2018 POP	Black	400094281	Yes	Quartz system Silent clock	30 m	2 years	3595560022496	p 107
	White	400094282					3595560022618	
	Metal grey	400094283					3595560022656	
new 2018 MAXI POP	Black	400094487	Yes	Quartz system Silent clock	150 m	2 years	3595560023905	p 109
	Metal grey	400094488					3595560023936	
ATTRACTION	Metal grey	400094404	Yes	Quartz system Silent clock Magnetic fixation	22 m	2 years	3595560023318	p 115
MAGNET	Metal grey	400094406	Yes	Quartz system Magnetic fixation	30 m	2 years	3595560023714	p 117
new 2018 ON TIME	Black	400094567	Yes	Quartz system 4 differents time zones	30 m	2 years	3595560025114	p 123
INSTINCT	Metal grey	100340853	Yes	DST technology Numeric dater	35 m	2 years	3595560007929	p 119
TEMPUS	Metal grey	400094592	Yes	Temperature indicator	35 m	2 years	3595560025282	p 121
new 2018 MOON	Metal grey	400094569	Yes	Quartz system Backlight system	100 m	2 years	3595560025220	p 127
new 2018 BALTIC	Wood	400094591	Yes	Quartz system Silent clock	35 m	2 years	3595560025251	p 129
MEGA	Black	400094568	Yes	Quartz system	180 m	2 years	3595560025183	p 131

To sum up:

COAT STANDS	Colours	SAP no.				Warranty	EAN code	Page
ACCESS	Black	400095391	6	6	No	2 years	3595560025398	p 135
BOUQUET	Metal grey/beechn	400069048	6	9	Yes	2 years	3595560011933	p 137
	Metal grey/red	400079772					3595560012992	
	Metal grey/green	400079775					3595560013005	
ACCUEIL	Met grey	100340698	8	9	Yes	2 years	3595560008872	p 139
	Black	100340694					35955 60008827	
	Purple	400095219					3595560024803	
	White	100340696					3595560008858	
	Lime green	400017761					3595560002627	
	Blue	400095390					3595560025374	
	Chromium-plated	100340697					3595560008865	
	Metal grey/beechn	100340704					3595560008858	
	Metal grey/cherry	100340703					3595560002627	
	Black/beechn	100340701					3595560025374	
	Black/cherry	100340700					3595560008865	
ADVANTAGE	Black	100340648	6	3	Yes	2 years	7359556000697	on website
	Blue	100340644					3595560006939	
TWISTER	Black	100340625	8	8	Yes	2 years	3595560012459	on website
BILLARD	Black	100340643	10	9	Yes	2 years	3595560009282	on website
SPIRIT	Metal grey	100340626	6	0	No	2 years	3595560007196	on website
CYPRES	Metal grey/aluminium	100340640	24	6	Yes	2 years	3595560009800	p 141
FOLDY	Metal grey	400050665	40	0	No	2 years	3595560009350	p 149
MEETING	Chrome	100340714	70	0	No	2 years	3595560007974	p 151

new
2018

To sum up:

COAT PEGS	Colours	SAP no.	Number of pegs	Max. load	Warranty	EAN code	Page
STEELY magnetic	Black	100340733	1	12 kg	2 years	3595560004874	p 143
	Metal grey	100340734				3595560004881	
STEELY	Black	100340731	1	50 kg	2 years	3595560004850	p 145
	Metal grey	100340732				3595560004867	
CYPRES magnetic	Black/metal grey	100340802	1 x 3	12 kg	2 years	3595560009565	p 146
	Black/metal grey	100340803	2 x 3			3595560009572	
CYPRES	Black/metal grey	100340804	2 x 3	50 kg	2 years	3595560009589	p 147
	Black/metal grey	100340805	4 x 3			3595560009879	
TRIO magnetic	Black	100340775	1 x 3	12 kg	2 years	3595560008643	on website
FIL ORIGIN	Black	100340740	1	NC	2 years	3595560010189	on website
	Black	100340749	2			3595560010196	
	Black	100340755	3			3595560010202	

ACCESSORIES	SAP no.	EAN code	Page
UMBRELLA-STAND ACCUEIL ULX BLACK	100340825	3595560001675	on website
UNI LONDON UMBRELLA STAND	100340828	3595560006649	on website
COAT-HANGERS KLASSIK ULX	100340719	3595560005024	p 149/p151
COAT-HANGERS LOCKY ULX	100340718	3595560005017	p 149/p151
COAT-HANGERS VESTA ULX	100340725	3595560008223	p 149/p151
COAT-HANGERS WOODY ULX	100340720	3595560006496	p 149/p151

To sum up:

FOOTRESTS	Colours	SAP no.	Dimensions	Other Functions	Warranty	EAN code	Page
UPDOWN	Black	400095456	45cmx32cmx7cm	Intuitive and ergonomic used in sitting or standing position with adjustable height desk. Recommended by Industrial Medicine.	10 years	3595560025732	p 155
CHYSALYS	Black	100340820	42cmx32cmx9cm	Height and inclination (10°, 15°, 20°) adjustable, it enables an individual setting according to the user's morphology.	10 years	3595560009817	p 156
NYPHEAS	Black	100340822	42cmx32cm	Ergonomic concept developed in association with the Industrial Medicine. The use of a foot-rests avoids muscle strain cramps and fatigue from the legs.	10 years	3595560009824	p 157
CONFORT MASSANT	Black	100340817	45cmx30cmx12cm	Top surface made of half PVC spheres which exercise a real relaxing massage. The use of a footrests avoids muscle strain cramps and fatigue from the legs.	10 years	3595560001194	p 159
ORIGIN	Black	100340819	49.5cmx36.5cmx9cm	Height and inclination (10°, 15°, 20°) adjustable, it enables an individual setting according to the user's morphology.	10 years	3595560010219	p 158
CHOCOLATE	Grey	100340816	45cmx32cm	Ergonomic concept developed in association with the Industrial Medicine. Easy and quick adjustment with the feet : rotation system!	10 years	3595560015931	p 161
COPY-HOLDER A4 ULX LIGHT GREY TILT ARM	Light grey	100340832		Avoids cervical pain. Ideal for cluttered desks.	10 years	3595560001736	on website

24cmx32cm
arm L80cm

DESK ACCESSORIES	Colours	SAP no.	Dimensions	Other Functions	Warranty	EAN code	Page
STUDY	White/aluminium	400095491	65cmx 17cmx5cm	Sleek modern Reduces fatigue, back pain, and cervical tensions. 4 USB ports	2 years	3595560025848	p 165
LOLA	White	400095448	7cmx17cm	Bluetooth function Perfect for SKYPE meeting Double speakers 2x3 W USB port	2 years	3595560025756	p 167
LALY	Black	400095693	5cmx 15cm	Bluetooth function Perfect for SKYPE meeting Double speakers 2x3W Wireless charger	2 years	3595560025600	p 169
R'PURE	White/black	400095490	19cmx15cmx5cm	Ioniser system Efficient and silent remove all particules and Carbon dioxide (CO2).	2 years	3595560025817	p 171

To sum up:

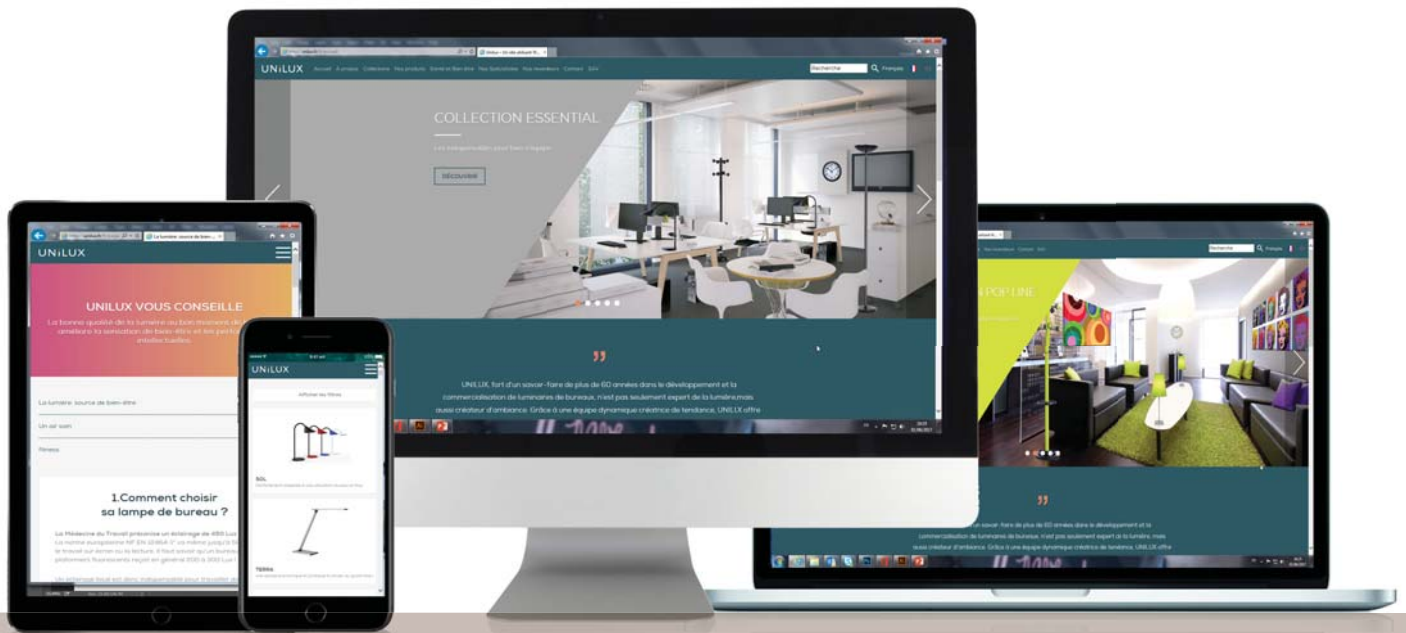
LED BULBS AND SPOTS	SAP no.	Power (Watts)	Lumen	Socket	Source 's lifetime	Amount of mercury (MG)	Colour T°	Energy class
AMP LED A60 E27 9,5W 810LM 2800K MM	400031698	9.5	810	E27	15000 h	0	2700 K	A+
AMP LED E14 6W 470LM BALL DEPOLIE OS	400063931	6	470	E14	15000h	0	2700K	A+
AMP LED E27 5W 470LM SPHERIQUE CLAIRE OS	400063934	5	470	E27	15000h	0	2700K	A+
AMP LED E14 4W 250LM FLAMME SY	400063759	4	250	E14	25000h	0	2700K	A+
AMP LED E27 5W 300° 640LM FILAMENT SY	400063930	5	640	E27	15000h	0	2700K	A+
AMP LED E14 2.5W 250LM FLAMME FILAM. SY	400063758	2.5	250	E14	6000h	0	2700K	A+
AMP ULX 11W E27 LED SPHERE	400072610	11	1150	E27	30000h	0	3000K	A+
AMP ULX LED 5W E14 SPHERE	400094195	5	450	E14	30000h	22	3000K	A+
AMP ULX LED 5W E14 FLAMME DIM	400094196	5	400	E14	15000h	0	3000K	A+
SPOT LED GU10 4.5W GU10 PAR16 365LM GE	400063935	4.5	365	GU10	15000h	0	3000K	A+
SPOT LED GU5.3 5.5W 36° 345LM SY	400063936	4.5	470	E27	25000 h	0	3000 K	A+

ENERGY SAVING BULBS	SAP no.	Power (Watts)	Lumen	Socket	Source 's lifetime	Amount of mercury (MG)	Colour T°	Energy class
AMP FLUO 12W E27 SPIRALE GE	100340010	12	700	E27	8000 h	2	5700 K	A
AMP FLUO 15W E27 3 TUBES COURBES GE	100340012	15	850	E27	6000 h	NC	2700 K	A
AMP FLUO ECO 230V 20W E27 MM	100340014	20	1152	E27	1000h	NC	2700K	A
AMP FLUO 11W E27 SPHERIQUE SY	100340008	11	660	E27	10000 h	4.5	2700 K	A
AMP FLUO 23W E27 SPIRALE GE	100340018	23	1450	E27	10000 h	4.5	2700 K	A
AMP FLUO ULX 9W E14 SPIRALE	100340006	9	450	E14	6000 h	NC	3000 K	A
AMP FLUO ULX 12W E27 SPIRALE	400015907	12	600	E27	8000h	2.2	2700K	A
AMP FLUO ULX 20W E27 SPIRALE	400015908	20	1204	E27	8000h	2.2	2700K	A

To sum up:

ENERGY SAVING TUBES	SAP no.	Power (Watts)	Lumen	Socket	Source's lifetime	Amount of mercury (MG)	Colour T°	Energy class
TUBE FLUO 55W 2G11 4 BROCHES OS	100340044	55	4800	2G11	8000 h	2.6	3000 K	A
TUBE FLUO 11W G23 2 BROCHES GE	100340031	11	900	G23	8000 h	1.3	3000 K	A
TUBE FLUO COMP 13W G24D1 2 DBL TD GE	100340959	13	900	G24d1	10000 h	NC	3000 K	A
TUBE FLUO 9W 2G7 GE	400014823	9	600	2G7	10000 h	NC	3000 K	A
TUBE FLUO 11W 2G7 4 BROCHES GE	400014824	11	900	2G7	10000 h	1.4	3000 K	A
TUBE FLUO HR 18W G13 LONG 59 CM SY	100340037	18	1350	G13	20000 h	3.3	4000 K	A
TUBE FLUO HR 36W G13 LONG 120 CM SY	100340042	36	3350	G13	20000 h	3.3	4000 K	A
TUBE FLUO HR 58W G13 LONG 150 CM SY	100340045	58	5200	G13	20000 h	3.3	4000 K	A
CIRCLINE FLUO ULX 12W G10Q PR MINIZOOM	100340022	12	850	G10Q	8000 h	NC	3000 K	A
CIRCLINE FLUO ULX 22W G10Q PR ZOOM	100340023	22	1800	G10Q	8000 h	NC	6000 K	A
CIRCLINE FLUO ULX 65W G10Q	100340026	62	4800	G10Q	10000 h	NC	4000 K	A
STARTER ULX FLUO 4 A 80 W OS	100340000							

HALOGEN BULBS, SPOTS AND TUBES	SAP no.	Power (Watts)	Lumen	Socket	Source's lifetime	Amount of mercury (MG)	Colour T°	Energy class
AMP HALOGENE 50W GY6.35 SY	100340982	50	860	GY6.35	2000 h	0	2800 K	C
AMP HAL BASSE PRESSION 35W GY6.35 OS	100340056	35	900	GY6.35	4000 h	0	3000 K	B
SPOT DICHR HAL 50W GU5.3 D50, 38° GE	100340065	50	450cd	GU5.3	2000 h	0	2900 K	C
AMP HALOGENE HE 33W G9 OS	100340986	33	460	G9	2000 h	0	2700 K	C
TUBE HALOGENE HE 200W R7S LG 114 GE	100340086	200	4000	R7s	1000 h	0	3000 K	C
TUBE HALOGENE HE 330W R7S LG 114 GE	100340090	330	7000	R7s	1000 h	0	3000 K	C



HAMELIN
www.my-unilux.com

UNILUX

12 avenue du Garigliano
F 91601 Savigny sur Orge Cedex, France
Tél: +33 (0)1 69 24 40 00